

Warning! The exploded views refer to the general model

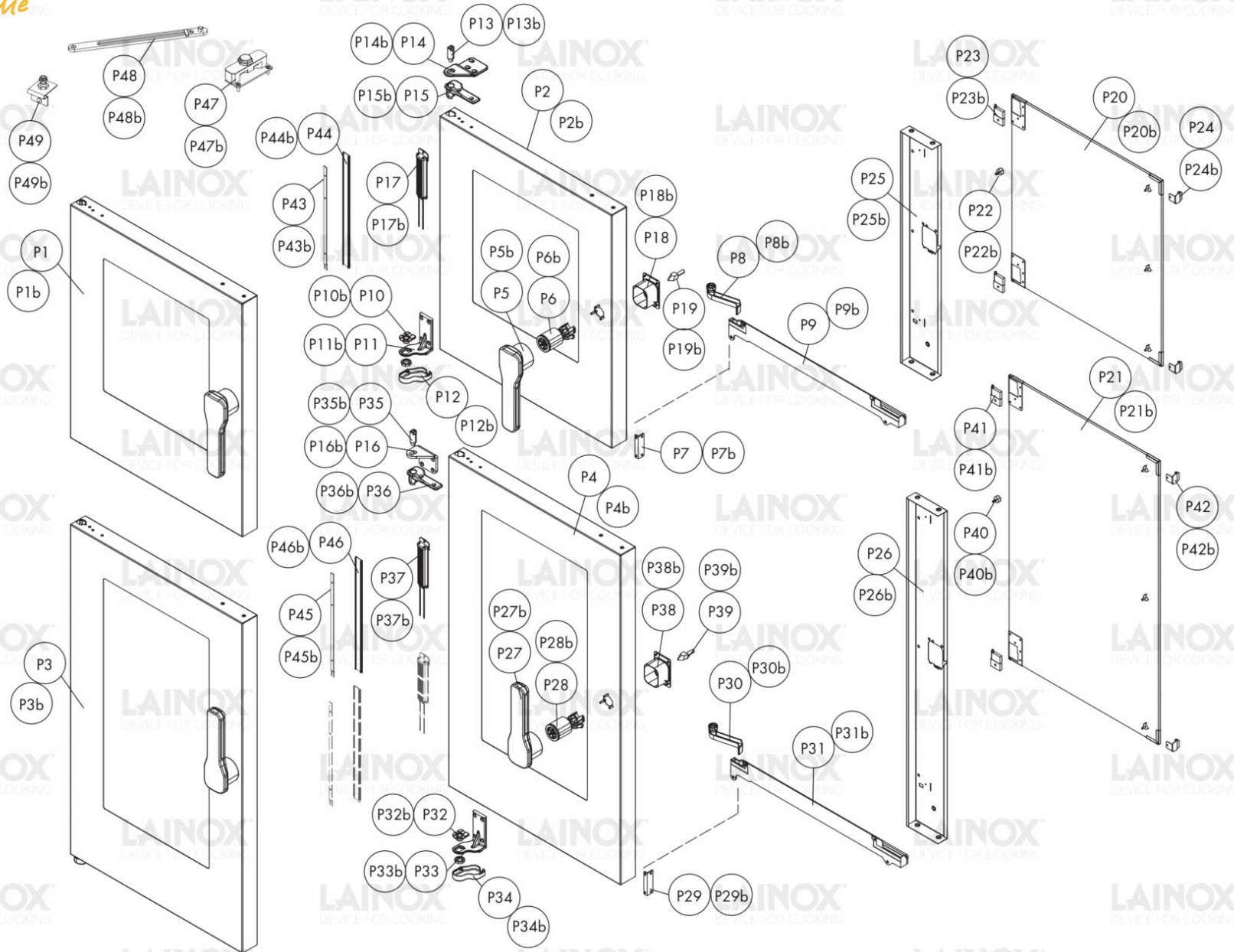
General

Pos.	Code	Previous code	Description	Notes	From:	Up to:
0001	LA75300050		PLATE [C] FAN D. 270 N/S071 2014			
0002	LA21100920		BAFFLE PLATE NA/SA G061	GN		
0002	LA21102070		PREM.DEFLETTORE AR_N2/S2 G054	EN		
0003	LA75300070		PLATE [C] FAN D. 350 N/S101 2014			
0004	LAR58007490		BAFFLE PLATE FIXING PIN MARINE			
0005	LA21100140		AIR BAFFLE [C] B. 101	GN		
0005	LA21102050		BAFFLE PLATE	EN		
0006	LA10202030		FLANGED FOOT H.150	Marine		
0006	LA69090100		WHEEL WITH BRAKE 125X35	Castors		
0006	LAR10202070		SUPPORT [C] FOOT ME105-210			
0006	LAR21104010		KIT RULLI ANTERIORI C/FRENO RL161	Rollers		
0007	LA10202030		FLANGED FOOT H.150	Marine		
0007	LA69090090		CASTOR [C] M24/NDX/E2 D. 125X35	Castors		
0007	LAR10202070		SUPPORT [C] FOOT ME105-210			
0007	LAR21104020		KIT RULLI POSTERIORI RL161	Rollers		
0008	LA70048142		OVEN DOOR GASKET [C] 495X460 MM			
0009	LA70048112		SEAL NA/SA 101			
0010	LAR21202900		DOOR TRAY HINGE R. N/S 61/101B			
0010	LAR69180210		DRAIN CONTAINER [C] N/S071-101 2014			
0011	LA69180250		FILTER [C] DRIP COLLECTOR DRAIN			
0012	LAR21202900		DOOR TRAY HINGE R. N/S 61/101B			
0012	LAR69180210		DRAIN CONTAINER [C] N/S071-101 2014			
0013	LA69180250		FILTER [C] DRIP COLLECTOR DRAIN			
0014	LA70010320		GASKET [C] V-SEAL VA-0060 NBR			5/26/2023
0014	LA70010850		SEAL OR 60 X 2,62		5/29/2023	
0015	LAR58007830		CAP [C] FASTDRY B.			5/26/2023
0015	LAR69181180		LID FAST-DRY		5/29/2023	
0016	LAR70030180		GRAPHITE GASKETS KIT [C] 80x50,3x3 SET 5 PIECES			
0017	LA21108950		FASTDRY COMPLETE 2022		5/29/2023	
0017	LAR65095000		MOTOR			5/26/2023
0018	LA70060250		SLEEVE D1=50/D2=53,5 L50		5/29/2023	
0019	LA70030301		SEAL FASTDRY 2022		5/29/2023	
0020	LAR65090510		GEARED MOTOR FASTDRY 2022		5/29/2023	
0020	LAR65095000		MOTOR			5/26/2023
0022	LA58004010		WASHER [C] D. 30/12,5			
0023	LA61020582		SCREW [C] TE A2 M6X60 UNI5737			

Pos.	Code	Previous code	Description	Notes	From:	Up to:
0024	LA21400100		COVER [C] MOTOR GASKET FLANGE B.			
0025	LA70020080		GASKET [C] MOTOR SHAFT			
0026	LA58007640		FLANGE [C] MOTOR GASKET B.			
0027	LAR65045070		MOTOR [C] FAN 750W B.			
0028	LAR75401270		FAN [C] CHAMBER D. 240x120H 061 B.			
0029	LA70030241		GUARNIZ.PROL.SFIATO/SIC.N5/S5 161			
0030	LA21101660		FILTER [C] DRAIN D.60 B.			
0031	LAR75401260		FAN [C] CHAMBER D. 350x120H B.			
0032	LAR21115150		CABINET DRAIN			
0032	LAR70030190		GRAPHITE GASKETS KIT [C] 90x90x3 SET 5 PIECES			
0033	LA21107520		CONDENSATION PIPE 061>161		6/27/2022	
0033	LA70010490		SEAL O-RING 106 - min. 10 pcs or multiples		6/27/2022	
0033	LAR21116240		KIT TUBI CONDEN.L1050 DR-Y-UG-UG NFS	UL Version	6/27/2022	
0034	LA21101660		FILTER [C] DRAIN D.60 B.			
0035	LAR21115150		CABINET DRAIN			
0035	LAR70030190		GRAPHITE GASKETS KIT [C] 90x90x3 SET 5 PIECES			
0036	LA70060050		RUBBER SLEEVE [C] D. 60			
0037	LA21101390		DRAIN BOX B. 161 UL	UL Version		
0037	LA21107031		DRAIN BOX N/S 161B SY			
0038	LA21202950		FRONT TRAY PIPE HINGE R. N/S 61/101B			
0038	LA69180610		PIPE [C] DRIP TRAY GN1/1			
0039	LA21107530		CONDENSATION PIPE 101>161		6/27/2022	
0039	LA70010490		SEAL O-RING 106 - min. 10 pcs or multiples		6/27/2022	
0039	LAR21116260		KIT TUBI CONDEN.L230 GOM-Y-UG-UG NFS	UL Version	6/27/2022	
0040	LA70060050		RUBBER SLEEVE [C] D. 60			
0041	LA21101390		DRAIN BOX B. 161 UL	UL Version		
0041	LA21107031		DRAIN BOX N/S 161B SY			
0042	LA21202950		FRONT TRAY PIPE HINGE R. N/S 61/101B			
0042	LA69180610		PIPE [C] DRIP TRAY GN1/1			
0043	LAR69180580		SAFETY VENT PIPE N2/S2 06x			
0044	LA70010470		GASKET [C] OR173 VITON FP75			
0045	LAR69180590		SAFETY VENT PIPE N2/S2 10x			
0046	LA70010470		GASKET [C] OR173 VITON FP75			
0047	LA70700110		GUARN.UMID/DET GRAF.ARM.70X32			
0048	LAR21201870		KIT HUMIDITY/WASHING PIPE B. 061/062			
0049	LAR21200080		HUMIDIFIER CONNECTION PIPE N2/S2			

Pos.	Code	Previous code	Description	Notes	From:	Up to:
0050	LA62090908		CONNECTION [C] JG STRAIGHT F/F D.10			
0051	LA21107470		PIPE [C] SYLICON 5X10 SY100 GOM-DR			
0052	LA70700110		GUARN.UMID/DET GRAF.ARM.70X32			
0053	LAR21200090		KIT HUMIDITY/WASHING PIPE B. 101/102			
0054	LAR21200080		HUMIDIFIER CONNECTION PIPE N2/S2			
0055	LA62090908		CONNECTION [C] JG STRAIGHT F/F D.10			
0056	LA21107490		PIPE [C] SYLICON 5x10 L1230			
0057	LAR65110330		SOLENOID VALVE [C] 2 WAYS 230V 50/60HZ OUT JG F D10			
0057	LAR65110770		ELECTRO VALVE [C] 230V 50/60HZ 2 WAYS OUT J.G. D.10 UL	UL Version		
0058	LAR65110340		SOLENOID VALVE [C] 2 WAYS 230V 50/60HZ OUT JG F D10	Mod.without boiler		
0058	LAR65110780		SOLENOID VALVE [C] 230V50/60HZ	Mod.without boiler UL Version		
0059	LA14170880		PRE-A. WATER PRESSURE SWITCH	Mod.without boiler		
0060	LAR65320220		PROBE K L1,5M			
0061	LA65241050		SPACER [C] SILICON L=9.5 MM			
0062	LAR65320220		PROBE K L1,5M			
0063	LAR65320220		PROBE K L1,5M			
0064	LA65241050		SPACER [C] SILICON L=9.5 MM			
0065	LAR65320220		PROBE K L1,5M			
0066	LA21405010		PANEL [C] SIDE B. 161			
0067	LA21405470		PANEL [C] BASE B. 161			
0068	LA21405010		PANEL [C] SIDE B. 161			
0069	LA21405470		PANEL [C] BASE B. 161			
0070	LAR70030180		GRAPHITE GASKETS KIT [C] 80x50,3x3 SET 5 PIECES			
0071	LA70060250		SLEEVE D1=50/D2=53,5 L50		5/29/2023	
0072	LA21108950		FASTDRY COMPLETE 2022		5/29/2023	
0072	LAR65095000		MOTOR			5/26/2023
0073	LA70010320		GASKET [C] V-SEAL VA-0060 NBR			5/26/2023
0073	LA70010850		SEAL OR 60 X 2,62		5/29/2023	
0075	LA70030301		SEAL FASTDRY 2022		5/29/2023	
0076	LAR65090510		GEARED MOTOR FASTDRY 2022		5/29/2023	
0076	LAR65095000		MOTOR			5/26/2023
0077	LA61020582		SCREW [C] TE A2 M6X60 UNI5737			
0078	LA58004000		SCREW [C] M12X1.5			
0079	LA58004010		WASHER [C] D. 30/12,5			

Pos.	Code	Previous code	Description	Notes	From:	Up to:
0080	LA21400100		COVER [C] MOTOR GASKET FLANGE B.			
0081	LA70020080		GASKET [C] MOTOR SHAFT			
0082	LA58007640		FLANGE [C] MOTOR GASKET B.			
0083	LAR65045070		MOTOR [C] FAN 750W B.			
0084	LA21400630		RACK 6 LIV.GN1/1 B. 061			
0084	LA21414930		RACK GN1/1 WIRE L. N/S 061B			
0085	LA21205170		RACK 5EN			
0085	LAR21202670		RACK 5EN NA/SA 061			
0086	LA21205160		RACK GN1/1 R. N/S 061B MARINE			
0087	LA21400630		RACK 6 LIV.GN1/1 B. 061			
0087	LA21414920		RACK GN1/1 WIRE R. N/S 061B			
0088	LA21205170		RACK 5EN			
0088	LA21406730		PARATIA 5 LIV.PASTICCERIA N2/S2 061@			
0089	LA21205160		RACK GN1/1 R. N/S 061B MARINE			
0090	LA14443120		RACK [C] 10 GN1/1 N/S R.			
0090	LA21414950		RACK GN1/1 WIRE L. N/S 101B			
0091	LA21205530		ASS.PARATIA 8 LIV.PASTICCERIA N2/S2 90°			
0091	LAR14204160		ASS.PARATIA SX 8 LIV.PASTIC. T10 2011			
0092	LA14218830		RACK GN1/1 R. N/S 101B MARINE			
0093	LA14443120		RACK [C] 10 GN1/1 N/S R.			
0093	LA21414940		RACK GN1/1 WIRE R. N/S 101B			
0094	LA14428781		RACK 8EN NA/SA			
0094	LA21205530		ASS.PARATIA 8 LIV.PASTICCERIA N2/S2 90°			
0095	LA14218830		RACK GN1/1 R. N/S 101B MARINE			



Warning! The exploded views refer to the general model

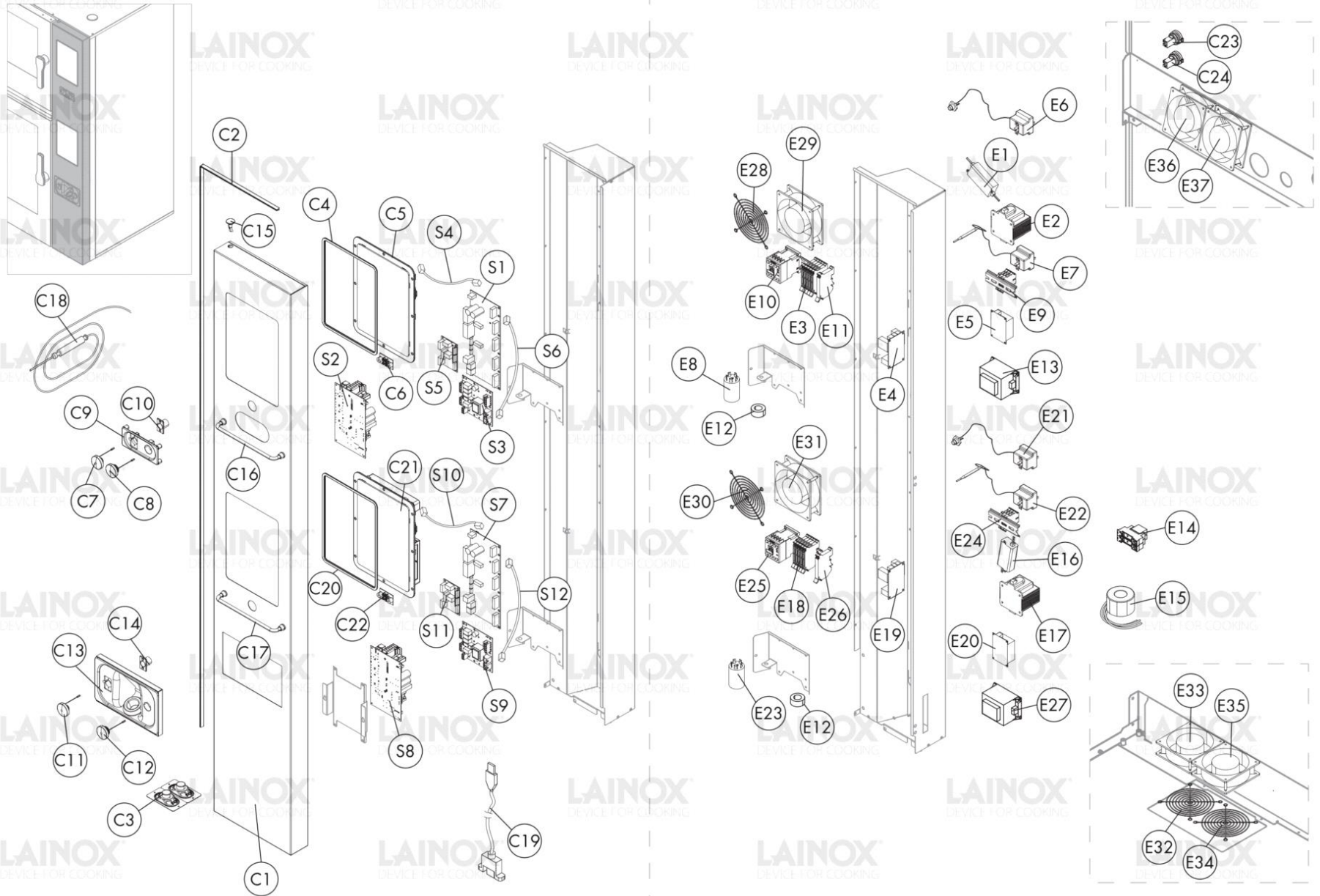
Door

Pos.	Code	Previous code	Description	Notes	From:	Up to:
00P1	LA21101430		DOOR [C] COMPLETE B. 061>161 LAINOX			10/20/2023
00P1	LA21101630		DOOR [C] COMPLETE B. 061>161 NO LOGO			10/20/2023
00P1	LA21111300		COMPL DOOR LAINOX N5 61>161 RGB	5.0+SMART LIGHTING SYSTEM	10/23/2023	
00P1	LA21112370		COMPL DOOR LAINOX N5 61>161	5.0	10/23/2023	
00P1	LA21114210		COMPL DOOR NEUTRAL N5 61>161	5.0	10/23/2023	
00P1	LA21116830		COMPL DOOR NEUTRAL N5 61>161 RGB	5.0+SMART LIGHTING SYSTEM	10/23/2023	
00P2	LAR21202040		EXT.DOOR(L HINGES) LAINOX 061>161			
00P2	LAR21202380		EXTERIOR DOOR NEUTRAL N2 61>161 RGB			
00P3	LA21101620		DOOR [C] COMPLETE B. 101>161 NO LOGO			10/20/2023
00P3	LA21111290		COMPL DOOR NEUTRAL N5 101>161 RGB	5.0+SMART LIGHTING SYSTEM	10/23/2023	
00P3	LA21112360		COMPL DOOR NEUTRAL N5 101>161	5.0	10/23/2023	
00P4	LAR21202370		EXTERIOR DOOR NEUTRAL N/S 101>161B			
00P5	LA17110810		HANDLE LAINOX N2/S2/P			
00P5	LA69011260		HANDLE OEM NA/SA/SY			
00P6	LA69011021		LOCK [C] DOOR 2020			
00P7	LAR65265100		MICROSWITCH [C] DOOR			
00P8	LA69180731		DRAIN [C] DOOR DRIP TRAY B.			
00P9	LAR69180740		DOOR DRIP COLLECTOR B. 061/101			
0P10	LA58007700		PIN [C] LOWER DOOR HINGEB.			
0P11	LA21400360		HINGE [C] DOOR LOWER B.			
0P12	LA69180710		COVER [C] HINGE B.			
0P13	LAR58007690		UPPER DOOR HINGE PIN N2/S2			
0P14	LA21400370		HINGE [C] DOOR UPPER B.			
0P15	LAR21400390		DOOR TOP PLATE KIT N2/S2			
0P16	LA21405440		HINGE [C] DOOR UPPER B. 101>161			
0P17	LA65270590		LAMP [C] LED L=130MM 12V DC			10/20/2023
0P18	LA69011130		COVER [C] DOOR HOOK B.			
0P19	LA69010260		PRONG [C] 1 STEP			
0P19	LA69010520		PRONG 2 STEP NA/SA	2 Step		
0P1b	LA21102950		COMPL.DOOR(R HINGES) LAINOX 061>161			10/20/2023
0P1b	LA21103750		COMPL.DOOR(R HINGES) NEUTRAL 061>161			10/20/2023
0P1b	LA21112620		PREM.PORTA CONTR.N5 061>161 LAINOX	5.0	10/23/2023	
0P1b	LA21116840		COMPL DOOR NEUTRAL N5 61>161	5.0	10/23/2023	
0P1b	LA21116850		COMPL DOOR LAINOX N5 61>161 RGB	5.0+SMART LIGHTING SYSTEM	10/23/2023	

Pos.	Code	Previous code	Description	Notes	From:	Up to:
0P1b	LA21116860		DOOR COMP.H. R. NEUTRAL N5 61>161 RGB	5.0+SMART LIGHTING SYSTEM	10/23/2023	
0P20	LAR71203100		INNER GLASS DOOR N/S 061B			
0P21	LAR71202190		GLASS PLATE [C]			
0P22	LAR70050180		SPACER [C] GLASS PLATE 15X8 (min.10 pcs or multiples)			
0P23	LAR58001760K		DOOR GLASS HINGE			
0P24	LAR17406231		GLASS HOLDER (2x)			
0P25	LAR21202010		DOOR UPRIGHT R. N/S 061>161B			
0P26	LAR21201970		DOOR UPRIGHT R. N/S 101>161B			
0P27	LA17110810		HANDLE LAINOX N2/S2/P			
0P27	LA69011260		HANDLE OEM NA/SA/SY			
0P28	LA69011021		LOCK [C] DOOR 2020			
0P29	LAR65265100		MICROSWITCH [C] DOOR			
0P2b	LAR21204050		EXT.DOOR HIN. R. LAINOX N/S 61/161B			
0P2b	LAR21204520		EXT.DOOR HIN. R. NEUTRAL N/S 061/161B			
0P30	LA69180731		DRAIN [C] DOOR DRIP TRAY B.			
0P31	LAR69180740		DOOR DRIP COLLECTOR B. 061/101			
0P32	LA58007700		PIN [C] LOWER DOOR HINGEB.			
0P33	LA21400360		HINGE [C] DOOR LOWER B.			
0P34	LA69180710		COVER [C] HINGE B.			
0P35	LAR58007690		UPPER DOOR HINGE PIN N2/S2			
0P36	LAR21400390		DOOR TOP PLATE KIT N2/S2			
0P37	LA65270590		LAMP [C] LED L=130MM 12V DC			10/20/2023
0P38	LA69011130		COVER [C] DOOR HOOK B.			
0P39	LA69010260		PRONG [C] 1 STEP			
0P39	LA69010520		PRONG 2 STEP NA/SA	2 Step		
0P3b	LA21102940		COMPL.DOOR(R HINGES) NEUTRAL 101>161			10/20/2023
0P3b	LA21112610		DOOR COMP.H. R. NEUTRAL N5 101>161	5.0	10/23/2023	
0P3b	LA21116890		DOOR COMP.H. R. NEUTRAL N5 101>161 RGB	5.0+SMART LIGHTING SYSTEM	10/23/2023	
0P40	LAR70050180		SPACER [C] GLASS PLATE 15X8 (min.10 pcs or multiples)			
0P41	LAR58001760K		DOOR GLASS HINGE			
0P42	LAR17406231		GLASS HOLDER (2x)			
0P43	LA66115980		LIGHT WIRING N/S 06xB	5.0	10/23/2023	
0P43	LA66117930		LIGHT WIRING SLS N5 06x/10xB	5.0+SMART LIGHTING SYSTEM	10/23/2023	

Pos.	Code	Previous code	Description	Notes	From:	Up to:
0P43	LAR65270620		LAMP LED N5 SLS	5.0+SMART LIGHTING SYSTEM	10/23/2023	
0P43	LAR65270640		LAMP LED N5	5.0	10/23/2023	
0P44	LAR71210020		GLASS LED N2/S2 06x	5.0	10/23/2023	
0P45	LA66115980		LIGHT WIRING N/S 06xB	5.0	10/23/2023	
0P45	LA66117930		LIGHT WIRING SLS N5 06x/10xB	5.0+SMART LIGHTING SYSTEM	10/23/2023	
0P45	LAR65270620		LAMP LED N5 SLS	5.0+SMART LIGHTING SYSTEM	10/23/2023	
0P45	LAR65270640		LAMP LED N5	5.0	10/23/2023	
0P46	LAR21430420		GLASS HOLDER N5/S5	5.0		
0P46	LAR71210030		GLASS LED N5/S5 10x	5.0	10/23/2023	
0P47	LAR58008200		KIT FERMO SUP.GUIDA SCORREV.PORTA N2/S2			
0P48	LAR58008190		DOOR STOPPER KIT N2/S2 MARINE			
0P49	LAR58000640		DOOR STOPPER PIN N/S MARINE			
0P4b	LAR21203990		EXT.DOOR HIN. R. NEUTRAL N/S 101>161B			
0P5b	LA17110810		HANDLE LAINOX N2/S2/P			
0P5b	LA69011260		HANDLE OEM NA/SA/SY			
0P6b	LA69011021		LOCK [C] DOOR 2020			
0P7b	LAR65265100		MICROSWITCH [C] DOOR			
0P8b	LA69180731		DRAIN [C] DOOR DRIP TRAY B.			
0P9b	LAR21202890		BACINELLA PORTA CONTR.N2/S2 061/101			
P10b	LA58008110		PERNO INF.CERNIERA REG.N2/S2			
P11b	LA21204060		R HINGE NA/SA			
P13b	LAR58007690		UPPER DOOR HINGE PIN N2/S2			
P14b	LA21202920		R HINGE NA/SA			
P15b	LAR21202910		KIT PIASTRA SUPERIORE PORTA CONTR.N2/S2			
P16b	LA21203840		ASS.CERN.SUP.PORTA CONT.N2/S2 101>161			
P17b	LA65270590		LAMP [C] LED L=130MM 12V DC			10/20/2023
P18b	LA69011130		COVER [C] DOOR HOOK B.			
P19b	LA69010260		PRONG [C] 1 STEP			
P19b	LA69010520		PRONG 2 STEP NA/SA	2 Step		
P20b	LAR71203100A		INNER GLASS DOOR HINGE R. N/S 061B			
P21b	LAR71202190A		GLASS PLATE [C]			
P22b	LAR70050180		SPACER [C] GLASS PLATE 15X8 (min.10 pcs or multiples)			
P23b	LAR58001760K		DOOR GLASS HINGE			
P24b	LAR17406231		GLASS HOLDER (2x)			

Pos.	Code	Previous code	Description	Notes	From:	Up to:
P25b	LAR21204040		UPRIGHT L. DOOR HINGE R. N/S 061>161B			
P26b	LAR21204010		UPRIGHT L. DOOR HINGE R. N/S 101>161B			
P27b	LA17110810		HANDLE LAINOX N2/S2/P			
P27b	LA69011260		HANDLE OEM NA/SA/SY			
P28b	LA69011021		LOCK [C] DOOR 2020			
P29b	LAR65265100		MICROSWITCH [C] DOOR			
P30b	LA69180731		DRAIN [C] DOOR DRIP TRAY B.			
P31b	LAR21202890		BACINELLA PORTA CONTR.N2/S2 061/101			
P32b	LA58008110		PERNO INF.CERNIERA REG.N2/S2			
P33b	LA21204060		R HINGE NA/SA			
P35b	LAR58007690		UPPER DOOR HINGE PIN N2/S2			
P36b	LAR21202910		KIT PIASTRA SUPERIORE PORTA CONTR.N2/S2			
P37b	LA65270590		LAMP [C] LED L=130MM 12V DC			10/20/2023
P38b	LA69011130		COVER [C] DOOR HOOK B.			
P39b	LA69010260		PRONG [C] 1 STEP			
P39b	LA69010520		PRONG 2 STEP NA/SA	2 Step		
P40b	LAR70050180		SPACER [C] GLASS PLATE 15X8 (min.10 pcs or multiples)			
P41b	LAR58001760K		DOOR GLASS HINGE			
P42b	LAR17406231		GLASS HOLDER (2x)			
P43b	LA66115980		LIGHT WIRING N/S 06xB	5.0	10/23/2023	
P43b	LA66117930		LIGHT WIRING SLS N5 06x/10xB	5.0+SMART LIGHTING SYSTEM	10/23/2023	
P43b	LAR65270620		LAMP LED N5 SLS	5.0+SMART LIGHTING SYSTEM	10/23/2023	
P43b	LAR65270640		LAMP LED N5	5.0	10/23/2023	
P44b	LAR71210020		GLASS LED N2/S2 06x	5.0	10/23/2023	
P45b	LA66115980		LIGHT WIRING N/S 06xB	5.0	10/23/2023	
P45b	LA66117930		LIGHT WIRING SLS N5 06x/10xB	5.0+SMART LIGHTING SYSTEM	10/23/2023	
P45b	LAR65270620		LAMP LED N5 SLS	5.0+SMART LIGHTING SYSTEM	10/23/2023	
P45b	LAR65270640		LAMP LED N5	5.0	10/23/2023	
P46b	LAR21430420		GLASS HOLDER N5/S5	5.0		
P46b	LAR71210030		GLASS LED N5/S5 10x	5.0	10/23/2023	
P47b	LAR58008200		KIT FERMO SUP.GUIDA SCORREV.PORTA N2/S2			
P48b	LAR58008190		DOOR STOPPER KIT N2/S2 MARINE			
P49b	LAR58000640		DOOR STOPPER PIN N/S MARINE			



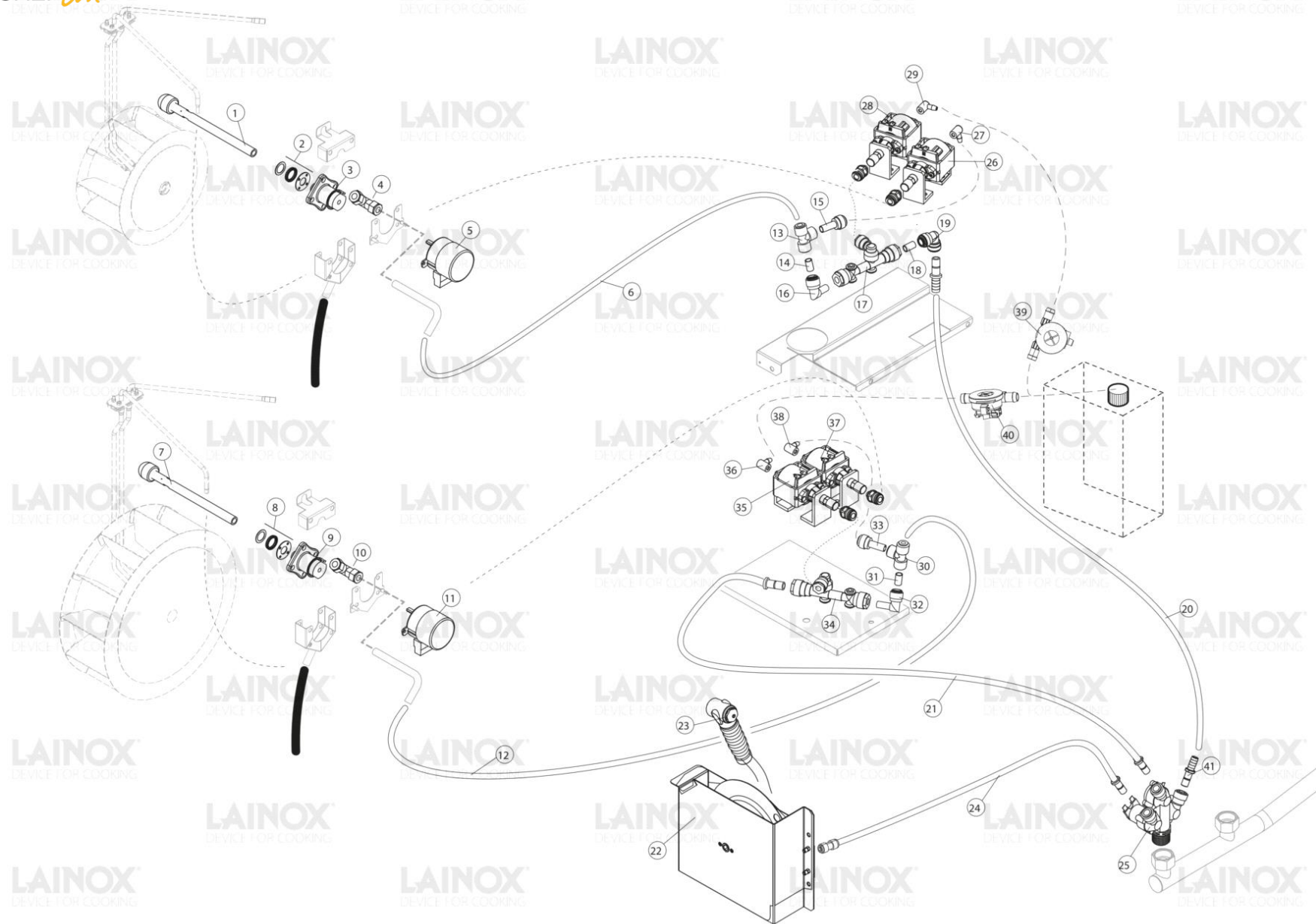
Warning! The exploded views refer to the general model

Control panel

Pos.	Code	Previous code	Description	Notes	From:	Up to:
00C1	LA21405450		AIR FILTER N/S 161B	Air filter		
00C1	LAR21111320LX		ASS.CRUSCOTTO N5 161 LAINOX		10/23/2023	
00C1	LAR21114220FS		ASS.CRUSCOTTO N5 161 FRANSTAL		10/23/2023	
00C1	LAR21201800FS		FRONT PANEL [C] NABOO B. 161 FRANSTAL			10/20/2023
00C1	LAR21201800LX		FRONT PANEL [C] NABOO B. 161 LAINOX			10/20/2023
00C2	LAR80100101		PROFILE 5M			
00C3	LA65330090		LOUDSPEAKER 4 OHM		10/23/2023	
00C3	LAR65330090B		LOUDSPEAKER			10/20/2023
00C4	LA70700030		DISPLAY SEAL NABOO 2023			
00C5	LAR65302493		BOARD [C] DISPLAY NABOO BOOSTED	Boosted		10/20/2023
00C5	LAR65303960		BOARD DISPLAY 10 NABOO 5.0	5.0	10/23/2023	
00C6	LA65260670		PUSH-BUTTON [C] B.			10/20/2023
00C7	LA65321331		CAP [C] PROBE SOCKET 2020			
00C8	LA65321310		CAP [C] USB SOCKET N/S			
00C9	LAR69180350		COVER LEO/COMPACT			
00E1	LA65187281		POWER SUPPLY 12V NA/SA+NTC			10/20/2023
00E2	LA65180430		TRANSFORMER [C] 40VA 0-220-240/12V			10/20/2023
00E2	LA65187110		TRANSFORMER [C] 40VA 2.5/12/24V	UL Version		5/3/2024
00E3	LA65210020		FUSE HOLDER [C] 5X20			
00E3	LA65210130		FUSE HOLDER [C] HV	UL Version		
00E4	LA65303911		SCHEDA ESPANSIONE FD-FLX BUS LNX 3CH@		10/23/2023	
00E4	LAR65303841		FASTDRY EXP. BOARD N/S BOOSTED			10/20/2023
00E5	LA65187310		POWER SUPPLY 15V 3A ORAC.B		10/23/2023	
00E6	LA65070350		THERMOSTAT [C] 360°C N/S/L			
00E6	LA65070370		SAFETY THERMOSTAT 360°C UL	UL Version		
00E6	LA70700210		SEAL F2			
00E7	LA65070380		SAFETY THERMOSTAT 150°C UL	UL Version		
00E7	LAR65070081		THERMOSTAT [C] BOILER N/S/L			
00E8	LA65280240		FILTER [C] ELECTROMECHANICAL			
00E9	LA65210130		FUSE HOLDER [C] HV	UL Version		
00E9	LA65220280		TERMINAL BLOCK [C] 1P+N+G			
00S1	LA65303921		MAIN BOARD NABOO 5.0 2023	5.0	10/23/2023	
00S1	LAR65302640		POWER BOARD [C] COMPACT BY NABOO			10/20/2023
00S2	LA65141053		INVERTER N2/S2			
00S3	LA65303930		BOAD EXP. BOILER NABOO 5.0 2023			
00S4	LA65301750		CABLE [C] SERIAL RJ45 L. 600			

Pos.	Code	Previous code	Description	Notes	From:	Up to:
00S5	LA65303180		BOARD [C] EXP. GAS NABOO RESET 24V			
00S6	LA65301740		CABLE [C] SERIAL RJ45 L. 250			
00S7	LA65303921		MAIN BOARD NABOO 5.0 2023	5.0	10/23/2023	
00S7	LAR65302640		POWER BOARD [C] COMPACT BY NABOO			10/20/2023
00S8	LA65141053		INVERTER N2/S2			
00S9	LA65303930		BOAD EXP. BOILER NABOO 5.0 2023			
0C10	LA65321540		CORE PROBE CONNECTOR			
0C11	LA65321331		CAP [C] PROBE SOCKET 2020			
0C12	LA65321310		CAP [C] USB SOCKET N/S			
0C13	LA14403110		PLATE [C] SHOWER HEAD N/S201			
0C14	LA65321540		CORE PROBE CONNECTOR			
0C15	LA69130670		CAP [C] D.12			
0C18	LA65321501		CORE PROBE W. CONNECTOR K4P			
0C19	LA65302600		CABLE [C] BOARD/USB OUTLET L. 850			
0C20	LA70700030		DISPLAY SEAL NABOO 2023			
0C21	LAR65302493		BOARD [C] DISPLAY NABOO BOOSTED	Boosted		10/20/2023
0C21	LAR65303960		BOARD DISPLAY 10 NABOO 5.0	5.0	10/23/2023	
0C22	LA65260670		PUSH-BUTTON [C] B.			10/20/2023
0C23	LA65303890		ETHERNET CABLE	(Optional)	11/13/2023	
0C23	LAR65303070		PLUG [C] ETHERNET F/F	(Optional)		11/10/2023
0C24	LA65303890		ETHERNET CABLE	(Optional)	11/13/2023	
0C24	LAR65303070		PLUG [C] ETHERNET F/F	(Optional)		11/10/2023
0E10	LA65140900		CONTACTOR [C] 3RT2016-1AP02			
0E10	LA65210110		FUSE HOLDER BCC3X38	UL Version		
0E11	LA65210050		FUSE HOLDER [C] 6,3X32			
0E12	LA65280490		FERRITE [C] TOROIDAL FT36			
0E15	LAR65180920		TRASFORMATORE			
0E16	LA65187281		POWER SUPPLY 12V NA/SA+NTC			10/20/2023
0E17	LA65180430		TRANSFORMER [C] 40VA 0-220-240/12V			10/20/2023
0E17	LA65187110		TRANSFORMER [C] 40VA 2.5/12/24V	UL Version		5/3/2024
0E18	LA65210020		FUSE HOLDER [C] 5X20			
0E18	LA65210130		FUSE HOLDER [C] HV	UL Version		
0E19	LA65303911		SCHEDA ESPANSIONE FD-FLX BUS LNX 3CH@		10/23/2023	
0E19	LAR65303841		FASTDRY EXP. BOARD N/S BOOSTED			10/20/2023
0E20	LA65187310		POWER SUPPLY 15V 3A ORAC.B		10/23/2023	
0E21	LA65070350		THERMOSTAT [C] 360°C N/S/L			

Pos.	Code	Previous code	Description	Notes	From:	Up to:
0E21	LA65070370		SAFETY THERMOSTAT 360°C UL	UL Version		
0E21	LA70700210		SEAL F2			
0E22	LA65070380		SAFETY THERMOSTAT 150°C UL	UL Version		
0E22	LAR65070081		THERMOSTAT [C] BOILER N/S/L			
0E23	LA65280240		FILTER [C] ELECTROMECHANICAL			
0E24	LA65210130		FUSE HOLDER [C] HV	UL Version		
0E24	LA65220280		TERMINAL BLOCK [C] 1P+N+G			
0E25	LA65140900		CONTACTOR [C] 3RT2016-1AP02			
0E25	LA65210110		FUSE HOLDER BCC3X38	UL Version		
0E26	LA65210050		FUSE HOLDER [C] 6,3X32			
0E28	LA75300020		GRID [C] FAN			
0E29	LA65060050		FAN [C] D. 120			
0E30	LA75300020		GRID [C] FAN			
0E31	LA65060050		FAN [C] D. 120			
0E32	LA75300020		GRID [C] FAN			
0E33	LA65060050		FAN [C] D. 120			
0E34	LA75300020		GRID [C] FAN			
0E35	LA65060050		FAN [C] D. 120			
0E36	LA65060050		FAN [C] D. 120			
0E37	LA65060050		FAN [C] D. 120			
0S10	LA65301750		CABLE [C] SERIAL RJ45 L. 600			
0S11	LA65303180		BOARD [C] EXP. GAS NABOO RESET 24V			
0S12	LA65301740		CABLE [C] SERIAL RJ45 L. 250			

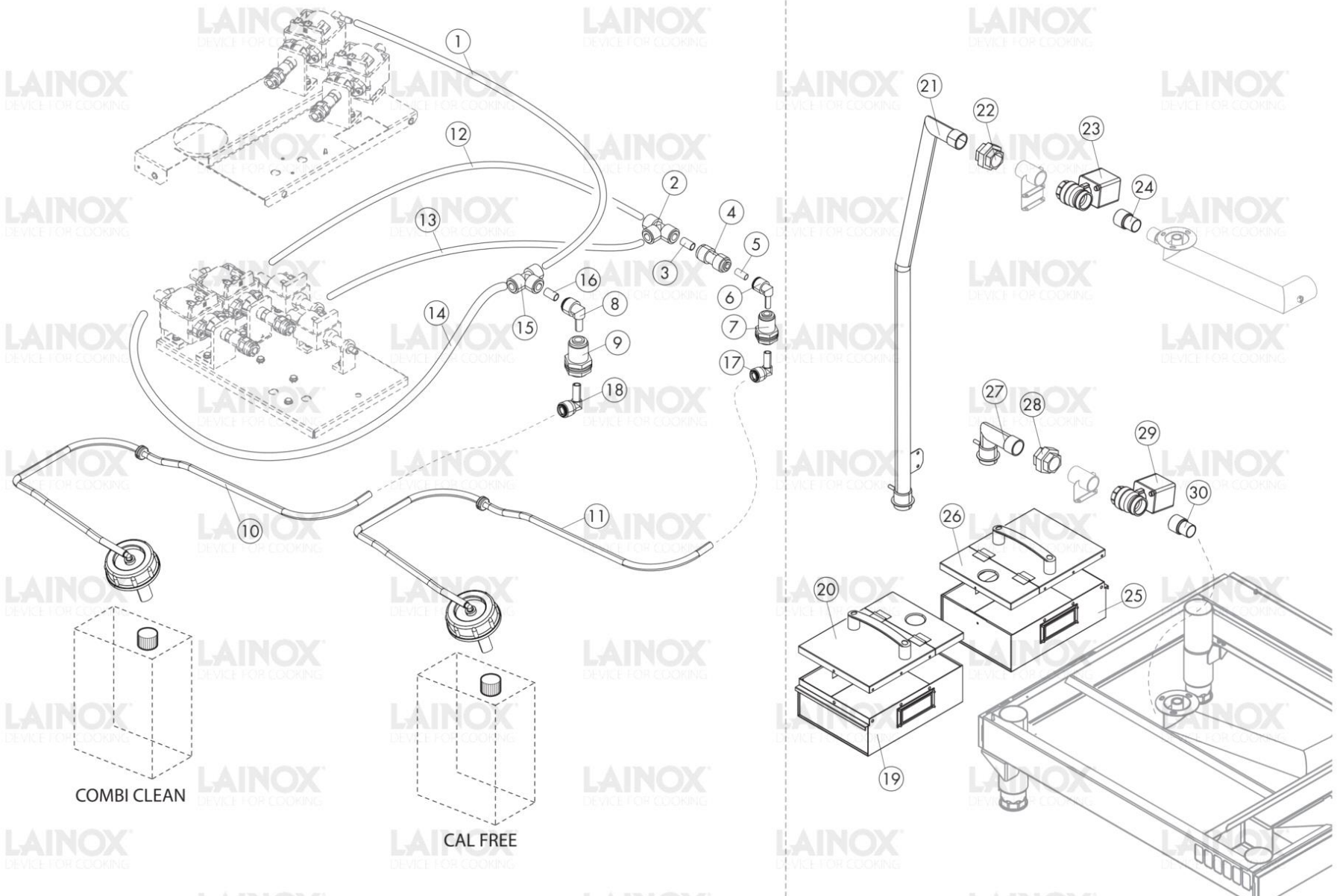


Warning! The exploded views refer to the general model

Washing

Pos.	Code	Previous code	Description	Notes	From:	Up to:
0001	LAR58007080		WASHING HEAD [C] L=160 (1/1)			
0002	LAR70045120		GASKET [C] MOB WASHING			
0003	LAR58007020		FLANGE [C] MOB WASHING			
0004	LA62090663		CONNECTION [C] 90° D.10-1/4			
0005	LAR65090260		GEARED MOTOR WASHING			
0006	LA21104290		ASS.PIPE [C] WASHING CONT. B. 061>161			
0007	LAR58007080		WASHING HEAD [C] L=160 (1/1)			
0008	LAR70045120		GASKET [C] MOB WASHING			
0009	LAR58007020		FLANGE [C] MOB WASHING			
0010	LA62090663		CONNECTION [C] 90° D.10-1/4			
0011	LAR65090260		GEARED MOTOR WASHING			
0012	LA21104280		ASS.PIPE [C] WASHING CONT. B. 101>161			
0013	LA62090468		CONNECTION [C] T F/F/F JG D.10			
0014	LA80150000		PIPE [C] LIGHT BLUE D. 10X7MM			
0015	LA62091078		CONNECTION [C] JG M/F 10-6			
0016	LA62090528		CONNECTION [C] 90° M/F D.10			
0017	LA62090888		CONNECTION [C] JG 3WAY WASHING			
0018	LA80150000		PIPE [C] LIGHT BLUE D. 10X7MM			
0019	LA62090478		CONNECTION [C] 90° F/F D.10			
0020	LA21107570		TUBE BLACK/RED 8X12 L.850			
0021	LA21107560		TUBE BLACK/RED D8x12 L720			
0022	LA62200180		ROLLGUIDE [C] B.			
0023	LA62200133		HANDLE [C] SHOWER HEAD			
0024	LA21107560		TUBE BLACK/RED D8x12 L720			
0025	LAR65110360		SOLENOID VALVE [C] 3 WAYS 230V 50/60HZ OUT JG F D10			
0025	LAR65110790		SOLENOID VALVE [C] 230V 50/60HZ	UL Version		
0026	LAR65110600		PUMP [C] PULSE BIG 230V 50HZ			
0026	LAR65110930		PUMP COMBICLEAN 60HZ UL	60Hz / UL Version		
0027	LA62090980		CONNECTION [C] POMPA 90°			
0028	LAR65110600		PUMP [C] PULSE BIG 230V 50HZ			
0028	LAR65110930		PUMP COMBICLEAN 60HZ UL	60Hz / UL Version		
0029	LA62090980		CONNECTION [C] POMPA 90°			
0030	LA62090468		CONNECTION [C] T F/F/F JG D.10			
0031	LA80150000		PIPE [C] LIGHT BLUE D. 10X7MM			
0032	LA62091078		CONNECTION [C] JG M/F 10-6			
0033	LA62090528		CONNECTION [C] 90° M/F D.10			

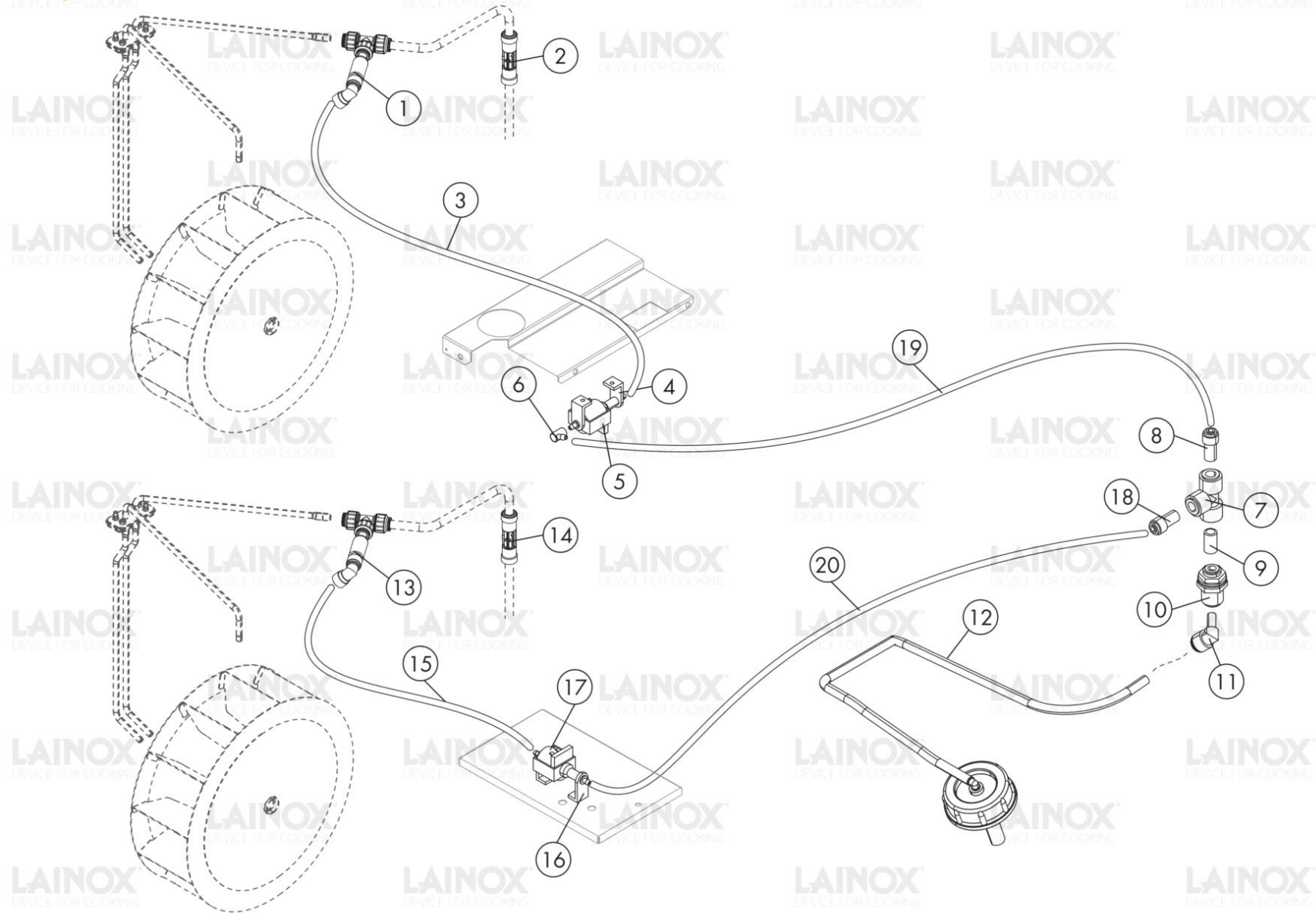
Pos.	Code	Previous code	Description	Notes	From:	Up to:
0034	LA62090888		CONNECTION [C] JG 3WAY WASHING			
0035	LAR65110600		PUMP [C] PULSE BIG 230V 50HZ			
0035	LAR65110930		PUMP COMBICLEAN 60HZ UL	60Hz / UL Version		
0036	LA62090980		CONNECTION [C] POMPA 90°			
0037	LAR65110600		PUMP [C] PULSE BIG 230V 50HZ			
0037	LAR65110930		PUMP COMBICLEAN 60HZ UL	60Hz / UL Version		
0038	LA62090980		CONNECTION [C] POMPA 90°			
0039	LAR21115070		FLOW METER N2/S2	SLCV2/SLCS2		
0040	LAR21115070		FLOW METER N2/S2	SLCV2/SLCS2		



Warning! The exploded views refer to the general model

Tanks

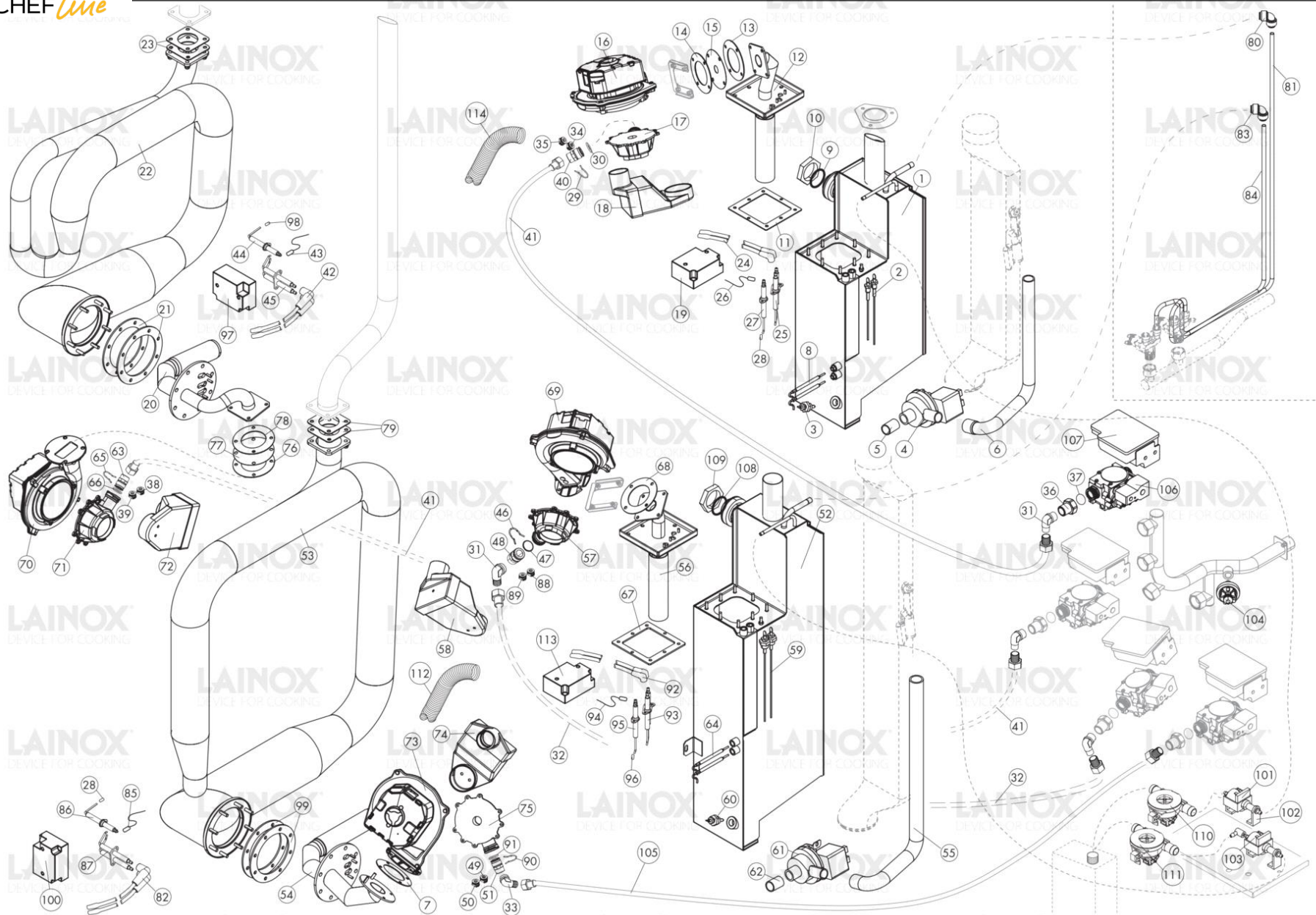
Pos.	Code	Previous code	Description	Notes	From:	Up to:
0001	LA80150100		PIPE [C] PVC 8MMX5 TT/CRISTALLO/TR TRASP.			
0002	LA62090968		CONNECTION [C] T F/F/F JG D.8			
0003	LA80150080		PIPE [C] D. 8X6			
0004	LA62090798		CONNECTION [C] JG STRAIGHT F/F D.8-6			
0005	LA80150030		PIPE [C] D. 6X4			
0006	LA62090808		CONNECTION [C] JG 90° M0,6 F0,6			
0007	LA62090828		CONNECTION [C] RING NUT D. 6			
0008	LA62090678		CONNECTION [C] JG 90° M0,8 F0,8			
0009	LA62090688		CONNECTION [C] RING NUT D. 8			
0010	LA14171490		CAP [C] YELLOW DETERGENT DL010			
0011	LA14171500		CAP [C] GREEN CALOUT CF010			
0012	LA80150100		PIPE [C] PVC 8MMX5 TT/CRISTALLO/TR TRASP.			
0013	LA80150100		PIPE [C] PVC 8MMX5 TT/CRISTALLO/TR TRASP.			
0014	LA80150100		PIPE [C] PVC 8MMX5 TT/CRISTALLO/TR TRASP.			
0015	LA62090968		CONNECTION [C] T F/F/F JG D.8			
0016	LA80150080		PIPE [C] D. 8X6			
0017	LA62090808		CONNECTION [C] JG 90° M0,6 F0,6			
0018	LA62090678		CONNECTION [C] JG 90° M0,8 F0,8			
0019	LAR21207570		TANK N2/S2 BGRT E.	KPG161		
0020	LAR21207560		GREASE TANK COVER N2/S2 BGRT E	KPG161		
0021	LAR21220950		TELESCOPIC PIPE N2/S2 161-61 BGRT	KPG161		
0022	LA62080123		GIUNTO 3 PZ. FF 11/4 GEN.FITTINGS NICH.	KPG161		
0023	LA65110900		VALV.SFERA MOT.11/4 S3041N07+R3505P00	KPG161		
0024	LA21220840		CONNECTOR BGRT 1/1	KPG161		
0024	LA70060010		SILICONE COUPLING [C] D. 30	KPG161		
0025	LAR21207570		TANK N2/S2 BGRT E.	KPG161		
0026	LAR21207560		GREASE TANK COVER N2/S2 BGRT E	KPG161		
0027	LAR21220940		TELESCOPIC PIPE N2/S2 161-201 BGRT	KPG161		
0028	LA62080123		GIUNTO 3 PZ. FF 11/4 GEN.FITTINGS NICH.	KPG161		
0029	LA65110900		VALV.SFERA MOT.11/4 S3041N07+R3505P00	KPG161		
0030	LA21220840		CONNECTOR BGRT 1/1	KPG161		
0030	LA70060010		SILICONE COUPLING [C] D. 30	KPG161		



Warning! The exploded views refer to the general model

Smokeygrill

Pos.	Code	Previous code	Description	Notes	From:	Up to:
0001	LAR21102030		CONNECTOR N2/S2 SMOKEGRILL	NSGB161		
0002	LA62091088		NON-RETURN VALVE JG10			
0003	LA80150100		PIPE [C] PVC 8MMX5 TT/CRISTALLO/TR TRASP.			
0004	LA65110630		HOLDER [C] PUMP			
0005	LAR65110620		PUMP [C] PULSE SMALL 230V 50HZ			
0006	LA62090980		CONNECTION [C] POMPA 90°			
0007	LA62090468		CONNECTION [C] T F/F/F JG D.10			
0008	LA62091078		CONNECTION [C] JG M/F 10-6			
0009	LA80150000		PIPE [C] LIGHT BLUE D. 10X7MM			
0010	LA62091098		CONNECTION [C] RING NUT D. 10			
0011	LA62090528		CONNECTION [C] 90° M/F D.10			
0012	LA21102180		CAP [C] SMOKEGRILL B.201-202			
0013	LAR21102030		CONNECTOR N2/S2 SMOKEGRILL	NSGB161		
0014	LA62091088		NON-RETURN VALVE JG10			
0015	LA80150100		PIPE [C] PVC 8MMX5 TT/CRISTALLO/TR TRASP.			
0016	LA65110630		HOLDER [C] PUMP			
0017	LAR65110620		PUMP [C] PULSE SMALL 230V 50HZ			
0018	LA62091078		CONNECTION [C] JG M/F 10-6			
0019	LA80150100		PIPE [C] PVC 8MMX5 TT/CRISTALLO/TR TRASP.			
0020	LA80150100		PIPE [C] PVC 8MMX5 TT/CRISTALLO/TR TRASP.			



Warning! The exploded views refer to the general model

Heating

Pos.	Code	Previous code	Description	Notes	From:	Up to:
0001	LAR21200660		BOILER COMPLETO N5/S5 G061			
0002	LA65320040		LEVEL PROBE [C] L=220MM			
0002	LAR65320050		ISOLATOR (6x)			
0003	LA65324550		LEVEL PROBE [C] CALOUT			
0003	LAR65320050		ISOLATOR (6x)			
0004	LAR65110950		PUMP [C] SYNCR. 220V50/60HZ	50/60Hz		
0006	LA69180620		PIPE [C] BOILER DRAIN B. E061/062/101			
0007	LA63140050		GASKET [C] BURNER FAN			
0008	LAR65320220		PROBE K L1,5M			
0009	LA70700140		GUARN.GRAF.ARM.ØE60 ØI43			
0010	LA58004030		NUT [C] 1 1/4X10 M/110-210-220			
0011	LA63140060		GASKET [C] GRAPHITE BOILER BURNER			
0012	LAR21200590		ASS.BRUCIATORE BOILER N2/S2 G061			
0013	LA63140050		GASKET [C] BURNER FAN			
0014	LA63140050		GASKET [C] BURNER FAN			
0015	LA11444190		DIAPHRAGM [C] FAN/BURNER D.16			
0016	LA66117270		WIRING [C] BLOWER NG30/NG40			
0016	LAR65060480		FAN [C] BLOWER NG30 DIVERGEN.21 B.			
0016	LAR65060590		FAN BLOWER NG40 21 ETL	UL 120VAC		
0017	LAR65060510		KIT MIXER GIALLO Ø18			
0018	LAR69180970		KIT ANTIRIS.A LAB.X MIXER SIT OUT 180°			
0019	LA65180260		TRANSFORMER [C]			
0020	LAR21200560		ASS.BRUCIATORE CAMERA N2/S2 G061			
0021	LA63140080		GASKET [C] GRAPHITE CABINET BURNER D126			
0022	LAR21200580		ASS.SCAMBIATORE CAMERA N2/S2 G061			
0023	LA70010670		GASKET [C] CHIMNEY GRAPHITE 65x65 D.40			
0024	LA66605150		IGNITION CABLE [C] L. 500			
0025	LA63050160		IGNITOR [C] BOILER DOUBLE			
0026	LA66605980		INGNITION/DETECTION CABLE [C] L=400 WHITE			
0027	LA63050120		IGNITOR [C] SINGLE			
0028	LA58001480		BUSH [C] FOR IGNITORS CLAMPING			
0029	LA21400811		CLIP [C] MIXER CONNECTION			
0030	LA70010590		GASKET [C] OR3075 FPM VITON FP75			
0031	LA62090733		ELBOW [C] MF 1/2 OT			
0032	LAR62180152		INOX FLEXIBLE PIPE [C] L. 100CM			
0033	LA62040203		CONNECTION [C] FF 1/2 OTT.			

Pos.	Code	Previous code	Description	Notes	From:	Up to:
0035	LA58007360		NOZZLE [C] D. 4,2 CW614N	G25		
0035	LA58008000		NOZZLE 3 MM	G30		
0035	LA58008010		NOZZLE 4 MM	G20		
0036	LA62060313		CONNECTION [C] GAS 3/4F-1/2M			
0037	LA70030270		SEAL D16X24			
0039	LA58007360		NOZZLE [C] D. 4,2 CW614N	G25		
0039	LA58008000		NOZZLE 3 MM	G30		
0039	LA58008010		NOZZLE 4 MM	G20		
0040	LA58007710		RACCORDO MIXER SIT NG30			
0041	LAR62180122		INOX FLEXIBLE PIPE [C] L. 25-50CM			
0042	LA66605120		IGNITION CABLE [C] L. 800			
0043	LAR66605990		IGNITION CABLE [C] FOR BOILER COMBUSTION CHAMBER L. 300			
0044	LAR63050190		IGNITOR [C] CABINET SINGLE			
0045	LAR63050200		IGNITOR [C] CABINET DOUBLE			
0046	LA21400811		CLIP [C] MIXER CONNECTION			
0047	LA70010590		GASKET [C] OR3075 FPM VITON FP75			
0048	LA58007710		RACCORDO MIXER SIT NG30			
0050	LA58007360		NOZZLE [C] D. 4,2 CW614N	G20		
0050	LA58007930		NOZZLE [C] GAS D.4,5 MM	G25		
0050	LA58007970		NOZZLE 3,5 MM	G30		
0051	LA58007710		RACCORDO MIXER SIT NG30			
0052	LAR21200650		BOILER COMPLETO N5/S5 G101			
0053	LAR21200530		ASS.SCAMBIATORE CAMERA N2/S2 G101			
0054	LAR21200540		ASS.BRUCIATORE CAMERA N2/S2 G101/201			
0055	LA69180760		PIPE [C] BOILER DRAIN B. G101/102			
0056	LAR21200550		BURNER BOILER N/S 101B			
0057	LAR65060540		KIT MIXER BLU Ø21			
0058	LAR69180980		ANTIRESONANCE G 90°			
0059	LA65320040		LEVEL PROBE [C] L=220MM			
0059	LAR65320050		ISOLATOR (6x)			
0060	LA65324550		LEVEL PROBE [C] CALOUT			
0060	LAR65320050		ISOLATOR (6x)			
0061	LAR65110950		PUMP [C] SYNCR. 220V50/60HZ	50/60Hz		
0063	LA58007710		RACCORDO MIXER SIT NG30			
0064	LAR65320220		PROBE K L1,5M			
0065	LA21400811		CLIP [C] MIXER CONNECTION			

Pos.	Code	Previous code	Description	Notes	From:	Up to:
0066	LA70010590		GASKET [C] OR3075 FPM VITON FP75			
0067	LA63140060		GASKET [C] GRAPHITE BOILER BURNER			
0068	LA63140050		GASKET [C] BURNER FAN			
0069	LA66117270		WIRING [C] BLOWER NG30/NG40			
0069	LAR65060480		FAN [C] BLOWER NG30 DIVERGEN.21 B.			
0069	LAR65060590		FAN BLOWER NG40 21 ETL	UL 120VAC		
0070	LA66117270		WIRING [C] BLOWER NG30/NG40			
0070	LAR65060480		FAN [C] BLOWER NG30 DIVERGEN.21 B.			
0070	LAR65060590		FAN BLOWER NG40 21 ETL	UL 120VAC		
0071	LAR65060510		KIT MIXER GIALLO Ø18			
0072	LAR69180970		KIT ANTIRIS.A LAB.X MIXER SIT OUT 180°			
0073	LA66117270		WIRING [C] BLOWER NG30/NG40			
0073	LAR65060480		FAN [C] BLOWER NG30 DIVERGEN.21 B.			
0073	LAR65060590		FAN BLOWER NG40 21 ETL	UL 120VAC		
0074	LAR69180970		KIT ANTIRIS.A LAB.X MIXER SIT OUT 180°			
0075	LAR65060540		KIT MIXER BLU Ø21			
0076	LA63140050		GASKET [C] BURNER FAN			
0077	LA11444190		DIAPHRAGM [C] FAN/BURNER D.16			
0078	LA63140050		GASKET [C] BURNER FAN			
0079	LA70010670		GASKET [C] CHIMNEY GRAPHITE 65x65 D.40			
0080	LA62090918		CONNECTION [C] 90° F/F D.10			
0081	LA21107470		PIPE [C] SYLICON 5X10 SY100 GOM-DR			
0082	LA66605120		IGNITION CABLE [C] L. 800			
0083	LA62090918		CONNECTION [C] 90° F/F D.10			
0084	LA21107490		PIPE [C] SYLICON 5x10 L1230			
0085	LAR66605990		IGNITION CABLE [C] FOR BOILER COMBUSTION CHAMBER L. 300			
0086	LAR63050190		IGNITOR [C] CABINET SINGLE			
0087	LAR63050200		IGNITOR [C] CABINET DOUBLE			
0089	LA58007360		NOZZLE [C] D. 4,2 CW614N	G20		
0089	LA58007930		NOZZLE [C] GAS D.4,5 MM	G25		
0089	LA58007970		NOZZLE 3,5 MM	G30		
0090	LA21400811		CLIP [C] MIXER CONNECTION			
0091	LA70010590		GASKET [C] OR3075 FPM VITON FP75			
0092	LA66605150		IGNITION CABLE [C] L. 500			
0093	LA63050160		IGNITOR [C] BOILER DOUBLE			
0094	LA66605980		INGNITION/DETECTION CABLE [C] L=400 WHITE			

Pos.	Code	Previous code	Description	Notes	From:	Up to:
0095	LA63050120		IGNITOR [C] SINGLE			
0096	LA58001480		BUSH [C] FOR IGNITORS CLAMPING			
0097	LA65180260		TRANSFORMER [C]			
0098	LA58001480		BUSH [C] FOR IGNITORS CLAMPING			
0099	LA63140080		GASKET [C] GRAPHITE CABINET BURNER D126			
0100	LA65180260		TRANSFORMER [C]			
0101	LAR65110620		PUMP [C] PULSE SMALL 230V 50HZ			
0102	LA65110630		HOLDER [C] PUMP			
0103	LAR65110620		PUMP [C] PULSE SMALL 230V 50HZ			
0104	LA63070010		PRESSURE SWITCH [C] GAS			
0105	LAR62180222		FLEXIBLE PIPE GAS L1500 M/F 1/2			
0106	LAR65060490		GAS VALVE [C] SIT B.			
0106	LAR65060550		GAS VALVE N2/S2 SIT UL	UL Version		
0107	LA63060170		IGNITION PANEL [C] B.			
0108	LA70700140		GUARN.GRAF.ARM.ØE60 ØI43			
0109	LA58004030		NUT [C] 1 1/4X10 M/110-210-220			
0110	LAR21115070		FLOW METER N2/S2	SLCS2		
0111	LAR21115070		FLOW METER N2/S2	SLCS2		
0112	LAR77700056A		PIPE [C] FLEX c/Spir.Di.30 De.35,3 COMAP L=1			
0113	LA65180260		TRANSFORMER [C]			
0114	LAR77700056A		PIPE [C] FLEX c/Spir.Di.30 De.35,3 COMAP L=1			