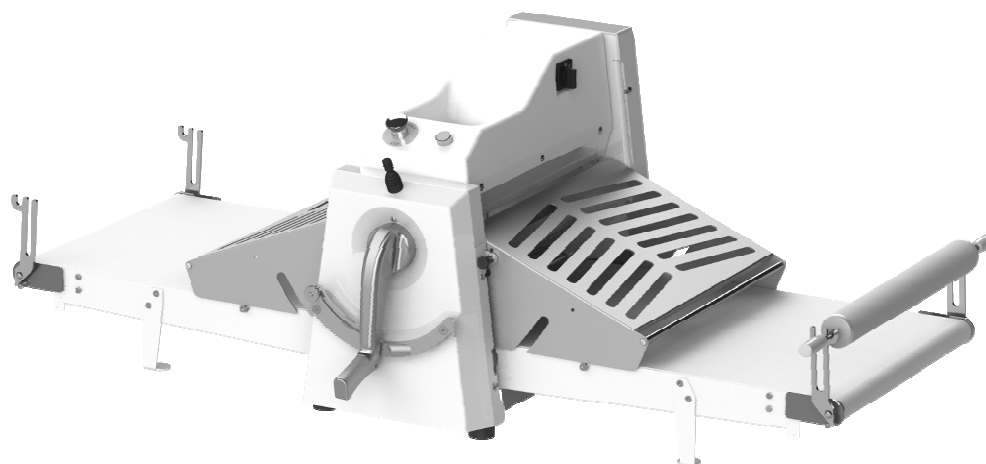


CE

# USER AND MAINTENANCE MANUAL



## SHEETER R55 – R55B

Edizione 05/2017 - Rev. A

---

## SOMMARIO

<b>1</b>	<b>INTRODUCTION</b>	<b>3</b>
1.1	FOREWORD	3
1.2	GENERAL INSTRUCTIONS AND WARNINGS	4
1.3	MAIN CASES FOR WHICH THE COMPANY DECLINES ANY RESPONSIBILITY	5
1.4	TERMINOLOGY	5
<b>2</b>	<b>MACHINE FEATURES</b>	<b>6</b>
2.1	INTENDED USE AND DESCRIPTION	6
2.2	TECHNICAL FEATURES	9
2.3	OVERALL DIMENSIONS	10
2.4	CONTROL AND ADJUSTMENT DEVICES	11
2.5	IDENTIFICATION PLATE	11
<b>3</b>	<b>INSTALLATION AND USE</b>	<b>12</b>
3.1	WARNINGS ON INSTALLATION SITE	12
3.2	INSTRUCTIONS FOR LIFTING, TRANSPORT AND POSITIONING OPERATIONS	12
3.3	ELECTRICAL CONNECTION	13
3.4	OPERATION AND USE	13
3.4.1	PRECAUTIONS AND PRELIMINARY CHECKS	14
3.4.3	STARTING AND OPERATION	14
3.4.4	OPERATION AND MACHINE USE	14
3.4.5	DOUGH THICKNESS ADJUSTMENT	14
3.4.6	FLOUR COLLECTION DRAWER (only version R55)	15
<b>4</b>	<b>MAINTENANCE</b>	<b>16</b>
4.1	FOREWORD	16
4.2	PERIODICAL MAINTENANCE (ordinary maintenance)	16
4.3	BELT TENSION	16
4.4	CHAIN TENSION (extraordinary maintenance)	17
4.5	CHAIN REPLACEMENT (extraordinary maintenance)	17
4.6	INTERVENTIONS TO BE CARRIED OUT EXCLUSIVELY BY AUTHORIZED ENGINEERS	17
4.7	POSSIBLE FAILURES AND/OR FAULTS	18
4.8	ELECTRICAL MAINTENANCE	18
<b>5</b>	<b>CLEANING THE MACHINE</b>	<b>19</b>
5.1	REPLACING THE BELTS	19
5.2	CLEANING THE SCRAPERS	21
5.3	LONG STOPS OR SERVICE DISCONTINUATION	22
<b>6</b>	<b>SAFETY</b>	<b>22</b>
6.1	FOREWORD	22
6.2	HAZARDS, SAFETY DEVICES AND RESIDUAL RISKS	22
6.2.1	DANGERS AND CORRESPONDING RISKS THAT CHARACTERIZE THE MACHINE	22
6.3	SAFETY DEVICES AND REMARKS	23
6.4	CHECKING THE EFFICIENCY OF THE SAFETY EQUIPMENT	24
6.5	RESIDUAL RISKS OF MECHANICAL ORIGIN	24
6.6	RESIDUAL RISKS OF ELECTRICAL ORIGIN	24
6.7	INFORMATION ON NOISE	25
6.8	SAFETY SIGNS	25
<b>7</b>	<b>DISMANTLING</b>	<b>26</b>

---

# 1 INTRODUCTION

## 1.1 FOREWORD

**This user and maintenance manual is to be consulted by anyone who may be appointed to, charged with and authorized to use the machine;** the term "use" refers to any phase of the machine's working cycle (from assembly and transport to maintenance operation to dismantling). **It is also intended for the employer, the managers and any officer within the company where the machine is used;** they must read it thoroughly and become familiar with all its parts, so that they may use it as support when complying with the obligations provided for by the current laws and regulations on health and safety in the workplace. **The employer**, at whose plants the machine is operating, as well as the managers and any officer within the company, must provide any operators with suitable training and information (all information must be simple and comprehensible, according to the foresight which can be reasonably expected of the intended recipient) on its correct and safe use as well as on general and specific risks in the workplace and/or inherent to the job itself. This manual can assist in such important task even though, for obvious reasons, it cannot be considered as fully exhaustive as it is not strictly inherent to the actual machine.

**The manual consists in a number of sections**, each of which has its specific purpose, and in particular:

- 2 Machine features**
- 3 Installation and Use**
- 4 Maintenance**
- 5 Safety**
- 6 Dismantling**

The word machine will hereafter indicate the item to be used by the purchaser and for which this manual is written and given to the purchaser, so that he may use it in a correct and safe manner.

Before carrying out any operation on the machine (transport, installation, connections to utilities, adjustments, operation, repair work, part replacement, dismantling, etc.) as well as before allowing anyone to use the machine, usually laymen, carefully read the general and specific instructions contained in this manual and ensure that its purposes and meaning are clear, so as to acquire the necessary knowledge to correctly operate and maintain the machine, as well as to understand and become familiar with the safety devices it is provided with, and finally the residual risks it presents, and therefore to use it in a correct and safe manner.

Keep this manual and any attached document in a safe place (drawings, diagrams, etc.).

**Should the manual be lost or worn out immediately request a copy** to the manufacturer clearly stating the identification details of the machine (year of construction, model, serial number, etc.).

This manual reflects the state of the art at the time the machine is launched into the market and cannot be considered unsuitable just because it has been subsequently updated following newly acquired experience or new technical solutions.

The manufacturer is not responsible for the suitability of the place where the machine is used nor for any complementary service, regardless of the fact that instructions on correct installation are given herein. The company reserves the right to update machines and manuals, but is not obliged to update machines and/or manuals previously manufactured/drawn up.

**This manual is an integral part of the machine and must accompany it** should it be transferred or sold for whatever reason.

**ATTENTION!** Before start up and operation ensure that the machine is compliant with the purchasing order and complete with all the devices described in this manual and in any commercial documentation, especially any safety devices.

**ATTENTION!** The machine described in this manual is for producing sheets from bread, pastry and pizza dough by making the dough go through calibrating cylinders that feature alternating forward and backward movement. This machine cannot be used for any purposes other than those described above.

The manufacturing company will not be held responsible for any damage to properties and/or injury to people or animals due to an incorrect use of the machine.

## 1.2 GENERAL INSTRUCTIONS AND WARNINGS

The manufacturing company declines any responsibility for damages to people, animals or properties caused by the failure to comply with the instructions contained in this manual and by the failure to comply with the following indications:

- **Do not tamper with** the guards and safety devices installed in the machine;
- **Do not tamper with** the guards **nor disable** the safety devices installed in the machine;
- **Reposition** all the protections and **reset** all the safety devices as soon as the reason why they were removed/disabled is resolved;
- **Do not use** the machine for purposes and/or with loads and/or in a way that does not correspond to that indicated by the manufacturer
- **Only use** bread, pastry and pizza dough
- **Carry out** daily checks on safety devices, level and state of technical fluids, if present, as well as checks on the general state of the machine
- **Carefully clean** the machine on a daily basis
- **Adopt** the necessary measures and precautions when carrying out adjustments, cleaning and maintenance operations, etc. so that the machine or its components cannot be started by other people, not even by accident
- **The location where the machine is to be installed must comply with European Directives as well as with the laws and regulations in force in the country where the machine is installed and used**
- Respect any limit regarding climate conditions (**see paragraph 2.2 TECHNICAL FEATURES**) and **permitted use**
- **The employer**, at whose production sites the machine is installed, must guarantee that operators are suitably informed and trained on their specific tasks, on safe and correct use of the machine and on general and specific risks in the workplace and/or job-related; this manual can be a useful support tool but cannot be considered exhaustive
- Any manager who allows third parties to use the machine (for example the employer, and so forth) must ensure that the machine is in good conditions, whole and fully functioning, especially as regards safety equipment; should this not be the case, he must not allow it to be used and must therefore put it out of service
- During maintenance and cleaning operations (and any other such operation) **operators must wear** snug clothes free of loose parts; they may not wear aprons, jackets, unbuttoned shirts, etc. nor are they allowed to wear jewels (bracelets, necklaces, etc.) that may unhook or become entangled in protruding parts; should they have long hair, they must use hairnets.
- Should it be necessary to replace any parts, use **original spare parts** only by ordering them from the manufacturing company; should non-original spare parts be used, the manufacturing company relieves itself of any and all responsibilities for any resulting damages to people, properties and/or animals
- **Any arbitrary modification to the machine, relieves the manufacturer of any and all responsibility for any resulting damages to people, animals and/or things**

---

### 1.3 MAIN CASES FOR WHICH THE COMPANY DECLINES ANY RESPONSIBILITY

The manufacturing company declines any responsibility for damages to people, animals and properties as well as for missed production due to:

- **Use of the machine not in compliance** with the intended use or with products different from those expressly declared in this manual
- **Installation not in compliance** with the procedures illustrated in this manual
- **Use of the machine by inadequately informed and instructed personnel** and, where foreseen, inadequately trained on correct and safe use of the same
- Maintenance, adjustments, settings, parts replacement, cleaning **operations** carried out **by inadequately informed and instructed personnel** and, where foreseen, inadequately **trained** on how to safely and correctly carrying out interventions
- **Use of power supply** that is different from what is provided for by this manual, or altogether unsuitable
- **Failure to perform maintenance and cleaning operations and checks**, etc. or in case such operations are **poor or unsuitable**.
- **Failure to comply or partial compliance with** the instructions given in this manual
- **Arbitrary modifications** to the original features and standard equipments of the machine, without prior formal authorisation by the manufacturing company
- **Damages caused** by tools, equipment, or other components, both installed and not installed on the machine, **not supplied or in any case not foreseen or authorized by the manufacturing company**
- **Failure to comply with the law and regulations in force** in the country where the machine is to be used
- **Exceptional events or force majeure** not ascribable to the manufacturing company

### 1.4 TERMINOLOGY

To better understand this manual, we hereby illustrate some of the terms used herein:

**MANUFACTURER, PRODUCER:** Machine manufacturer.

**CLIENT, BUYER:** physical or juridical person who has bought a machine that is either new or in such conditions to be considered as new (that is complete with these original instructions and with the original copy of the EC Declaration of Conformity)

**USER:** whoever is legally responsible for machine use; in most cases the client and the buyer are the same person.

**OPERATOR:** any person appointed to use the machine; the term "use" refers to any stage of the standard machine life cycle.

**MACHINE:** the object for which this manual is written and given to the purchaser, so that he may use it in a correct and safe manner.

**MACHINE USE:** all the operations that can be reasonably connected to the machine during its whole life in relation to its intended use as stated in this manual.

**DOUGH:** preparation for bread, pastry and pizza, previously mixed using the appropriate mixer.

**ORDINARY MAINTENANCE:** any and all operations necessary to correctly operate and keep the machine, which do not require any special training or professional expertise due to their basic nature and can therefore be carried out by the operator.

**EXTRAORDINARY MAINTENANCE:** operations that are necessary to correctly operate and keep the machine which, due to their complexity and/or hazardous nature, require the intervention of specialized, expert and suitably trained personnel who possesses the necessary technical and regulatory knowledge to carry out state-of-the-art interventions in safe conditions.

---

**DANGER AREA:** any area within and/or around the machine where the presence of an exposed person is a risk for the health and safety of such person.

**EXPOSED PERSON:** any person totally or only partially inside a danger area.

**WARNING:** extremely important information for ensuring the health and safety of the operator.

**IMPORTANT:** important information to avoid damaging the machine and/or its components.

## 2 MACHINE FEATURES

### 2.1 INTENDED USE AND DESCRIPTION

The machine described in this manual is to be used by an operator who has been trained to use it for producing sheets from bread, pastry and pizza dough by making the dough go through calibrating cylinders that feature alternating forward and backward movement.

The machine may be used only after it has been positioned in its final location and stability is ensured.

The machine may only be used in closed and protected environments; under no circumstance should the machine be used outdoors or in areas exposed to the elements.

It is forbidden to use the machine in marine environments (on the coast, on ships, offshore platforms, etc.).

It is forbidden to use the machine in spaces open to the public for purposes and/or with products or in a way that are different from what is stated in this manual.

It is forbidden to use the machine before all connections to the utilities present in the installation site have been carried out, as provided for by this manual.

It is forbidden to use the machine in environments where there is a risk of fire and/or explosion and/or of accidents, as provided for by the laws in force; moreover, the machine cannot be used in case of high humidity levels and/or in wet environments or in areas where there is excessive water vapour and/or oil vapours and/or dust, or if there are corrosive substances and/or gases

It is forbidden to use the machine in case of anomalous vibrations and or impacts

For safety, hygiene, health reasons and for guarantee purposes, the machine cannot be used for any purpose other than that herein declared. Any use that is deviates from the one declared herein is to be considered incorrect, non compliant and not contemplated by the manufacturer and is therefore potentially dangerous for the health and safety of the people exposed, as well as for animals and/or properties.

**IMPORTANT!** The operator must have read and understood the instructions and indications given in this manual before starting or using the machine; therefore, when the machine is started-up, started and used, the user implicitly accepts all and any public and criminal liability for damages to people, animals and properties that may occur following failure to respect such instructions and indications, even if partially.

**IMPORTANT!** The machine was designed and built for "standard" use. Standard use means intermittent use over work shifts.

#### MODELS:

- R55B: Table top model, surface width 548 mm. Available models: 05, 07, 08
- R55: Model with base, surface width 548 mm. Available models: 08, 09, 10, 12

Model	Work table length
05	500 mm
07	700 mm
08	800 mm
09	900 mm
10	1.000 mm
12	1.200 mm

The R55B bench-top version consists of: (Figure 1):

1. Guard
2. Flour tray
3. Mobile guards with safety microswitch
4. Belt
5. Rolling pin to manually process the dough
6. Work table
7. Work table support
8. Electric board
9. Belt reversal joystick
10. Upper scraper fastening joystick
11. Roller opening adjustment handle (dough thickness)
12. Lower roller scraper
13. Lower roller
14. Upper roller
15. Upper roller scraper
16. Motor

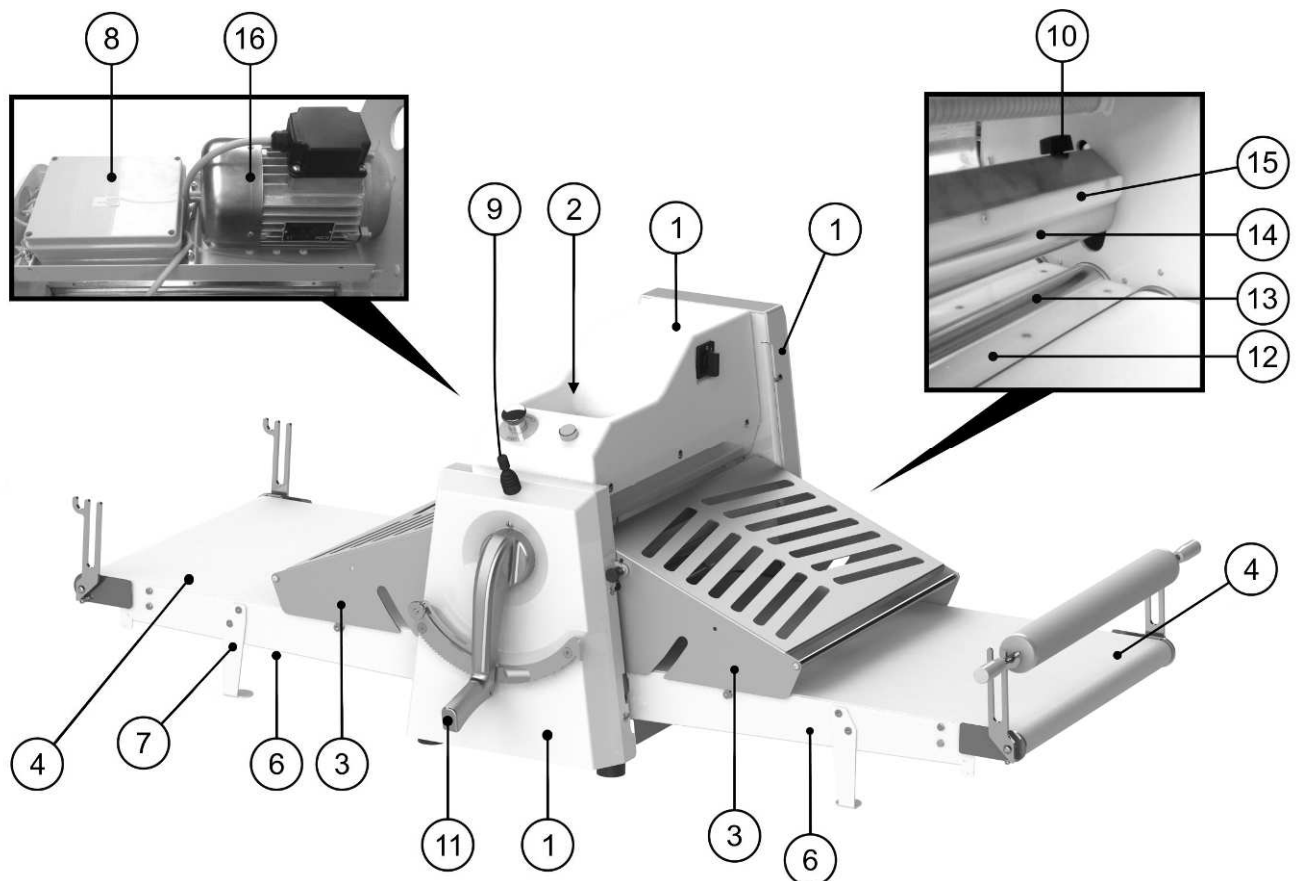
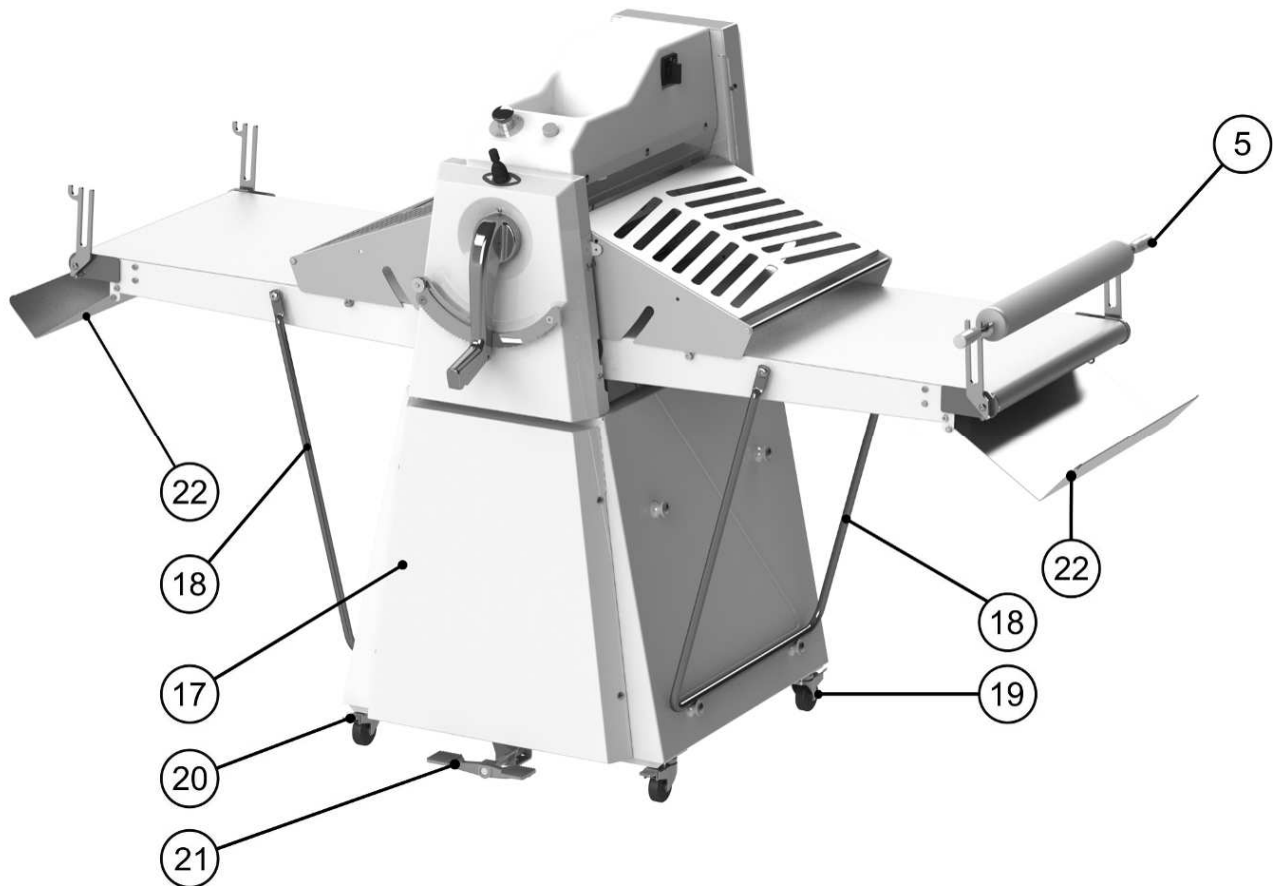


Figure 1

---

The R55 model with base is also complete with (Figure 2):

- 17. Base
- 18. Work table support
- 19. Back pivoting wheel
- 20. Front pivoting and braking wheel
- 21. Belt inversion pedal (if present)
- 22. Dough collection trays



**Figure 2**



## 2.2 TECHNICAL FEATURES

		R55B	R55
CYLINDER LENGTH	mm	550	550
CYLINDER DIAMETER	mm	Ø 60	Ø 60
CYLINDER OPENING	mm	0-38	0-38
TABLES LENGTH	mm	700-800	800-900-1000-1200
TABLE WIDTH	mm	550	550
MACHINE BODY WEIGHT	Kg	82	118
OVERALL WEIGHT WITH TABLES 700	Kg	128	164
OVERALL WEIGHT WITH TABLES 800	Kg	132	168
OVERALL WEIGHT WITH TABLES 900	Kg	-	173
OVERALL WEIGHT WITH TABLES 1000	Kg	-	176
OVERALL WEIGHT WITH TABLES 1200	Kg	-	182
CYLINDER LENGTH	mm	550	550

RATED VOLTAGE / FREQUENCY *Admissible tolerance: +/- 10%	V/Hz	400*; 230* / 50; 60
RATED VOLTAGE / FREQUENCY R55/R55B-I *Admissible tolerance: +/- 10%	V/Hz	230* / 50; 60
NO. OF ELECTRICAL PHASES		3/2 ~ + PE
TEMPERATURA AMBIENTE MIN/MAX	°C	-5 / +40
MAXIMUM AVERAGE ROOM TEMPERATURE OVER A PERIOD OF 24 HOURS	°C	35
MAXIMUM RELATIVE ROOM HUMIDITY (WITH T<40 °C)	%	50
MAXIMUM ALTITUDE ABOVE SEA LEVEL	m	2000

**NOTE:** All the illustrations, technical data and characteristics given here are only indicative and may include optional accessories; they are therefore not binding and may vary according to the model and the arrangement. The weights (in kg) of the different models refer to the basic versions and can therefore significantly vary according to the different features and accessories.

## 2.3 OVERALL DIMENSIONS

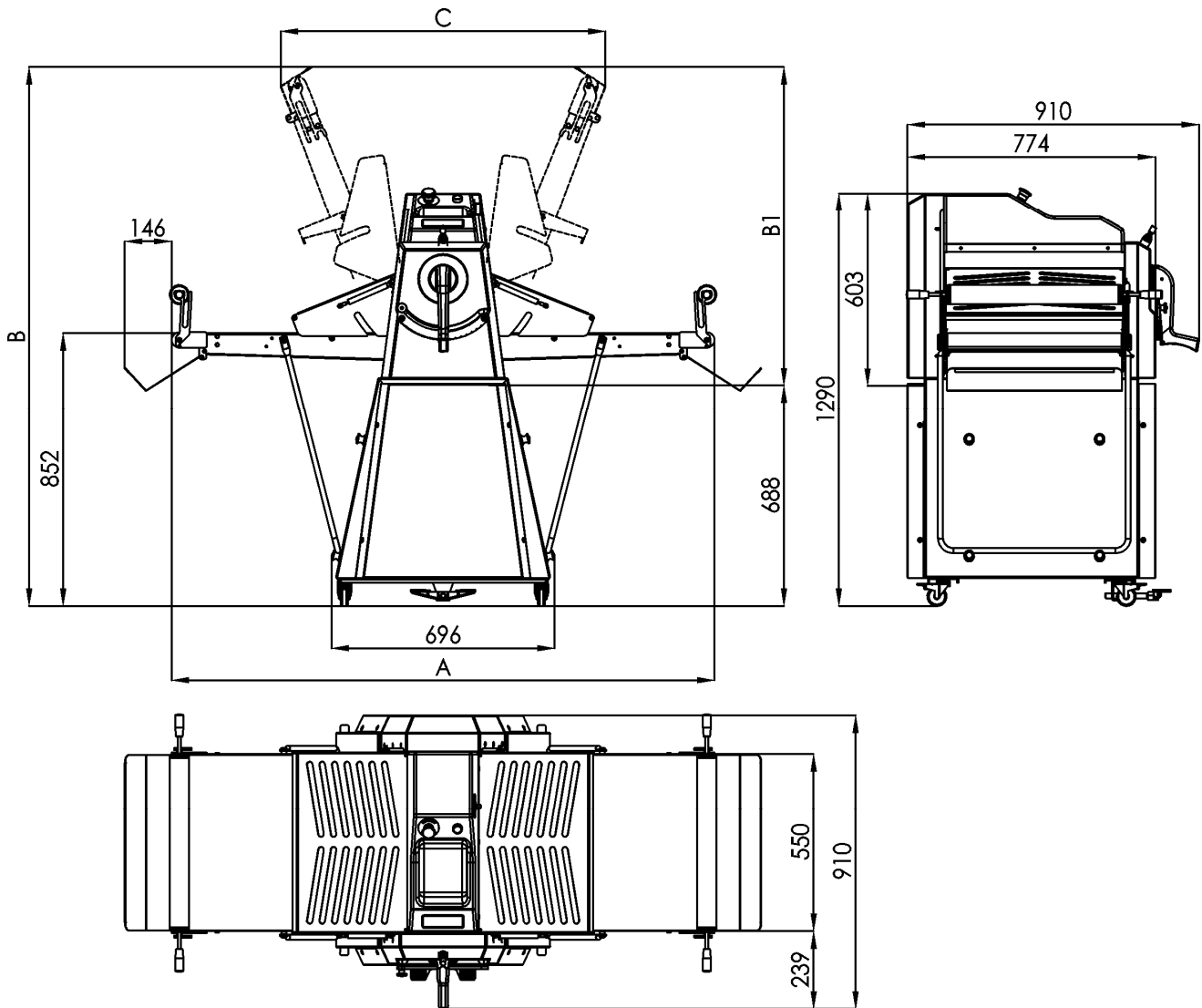


Figure 3

R55B	Table length	A	B1	C
05	500 mm	1100	640	640
07	700 mm	1500	780	780
08	800 mm	1700	850	850

R55	Table length	A	B	C
08	800 mm	1700	1560	850
09	900 mm	1900	1655	925
10	1.000 mm	2100	1750	995
12	1.200 mm	2500	1935	1135

## 2.4 CONTROL AND ADJUSTMENT DEVICES

As illustrated in Figure 4, the machine is supplied as standard with the following control and adjustment devices:

1. Main power switch; **O = OFF** , **I = ON**
2. Mobile guards closing control microswitch
3. **EMERGENCY STOP** push-button
4. Belt speed adjusting device (inverter model)
5. Operation push-button
6. Start, reversal and operating cycle pause joystick (see Chap. 7)
7. Operating cycle reversal pedal (only for version with base)

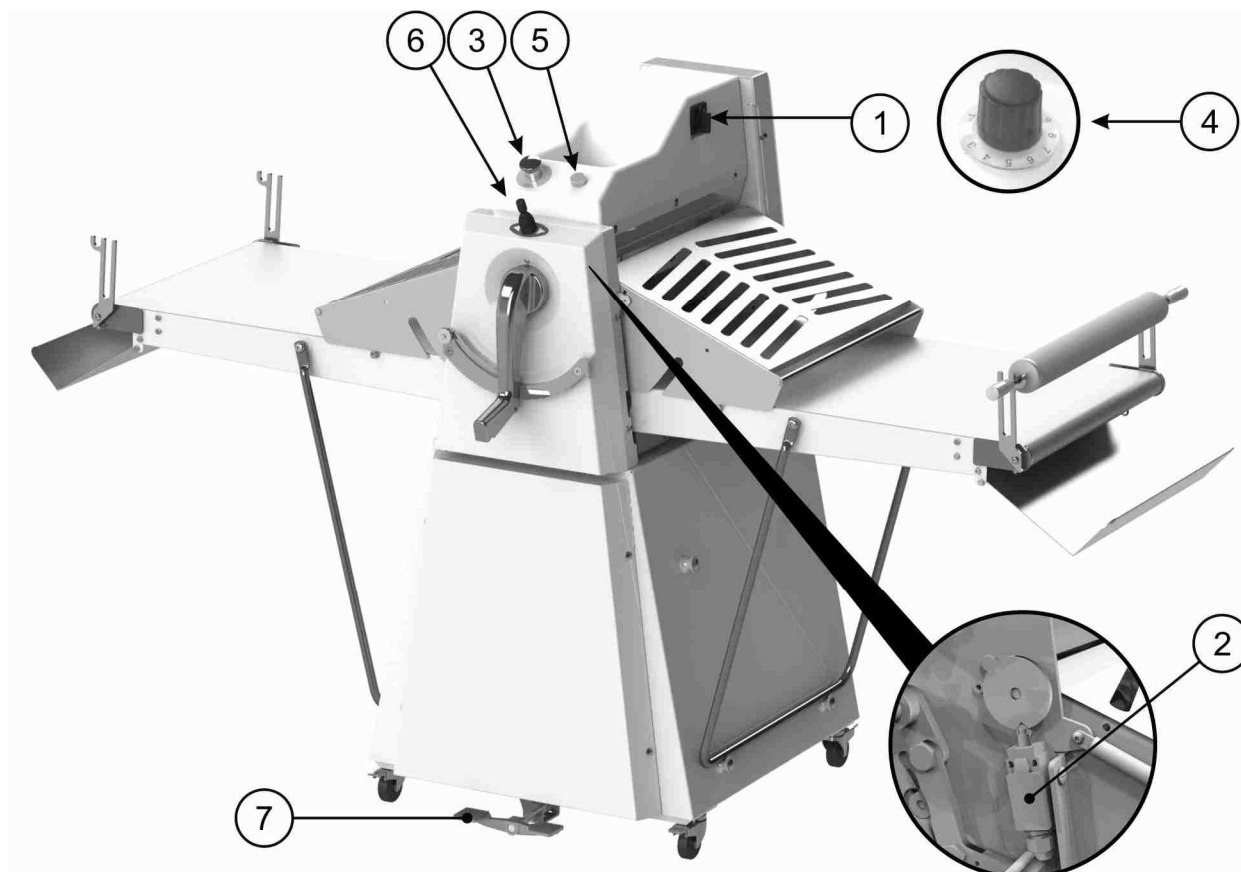


Figure 4

## 2.5 IDENTIFICATION PLATE

The identification plate is affixed on the back of the machine as illustrated in Figure 5 and shows the CE marking, the manufacturer details, the serial number, the year of manufacture, the weight, and the essential electrical data. All such data are permanently printed on the plate.



Figure 5

---

### 3 INSTALLATION AND USE

#### 3.1 WARNINGS ON INSTALLATION SITE

The room where the machine is to be installed must comply with the laws and regulations in force.

#### 3.2 INSTRUCTIONS FOR LIFTING, TRANSPORT AND POSITIONING OPERATIONS

The location where the machine is to be kept, stored and/or used must comply with the laws and regulations in force as well as ensure machine stability along with suitable protection from possible damages and from the elements.

If the machine is not used for long periods of time, it must be stored in a closed, dry place inaccessible to unauthorized personnel, where it is safe from any damage; it must also be protected using waterproof sheets. The machine is shipped in one single package consisting of machine body and disassembled work table. The manufacturer positions and fixes the machine on a pallet and, if provided for in the contract, in a thick cardboard box or wooden cage before shipment.

**When handling and/or transporting the machine, take any precaution to avoid or reduce as much as possible any hazard to people, animals and properties.**

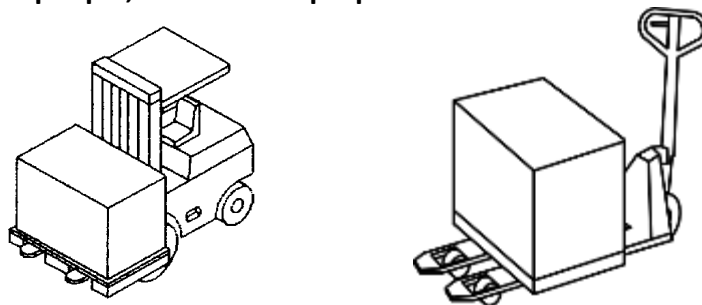


Figure 6

Loading/unloading operations onto/from the means of transport are usually carried out using a forklift truck/pallet truck of suitable capacity whose arms must be inserted in the spaces provided at the base of the pallet, as illustrated in Figure 6. Remove any packing; check the state of the machine; separate the different materials that make up the packing (cardboard, plastic, wood, etc.) and put them in the relative collection places that should be accessible only to authorized personnel, before giving them to a company specialized in waste disposal.

Wooden joists and pallets must be taken to the dedicated collection area.



**Respect for the environment is an obligation provided for by the law.**

Ensure that there is enough space around the machine to operate comfortably and to correctly carry out any cleaning, adjustment and/or maintenance operations. Brake the wheels by lowering the dedicated levers (Figure 7) (only for versions with base)

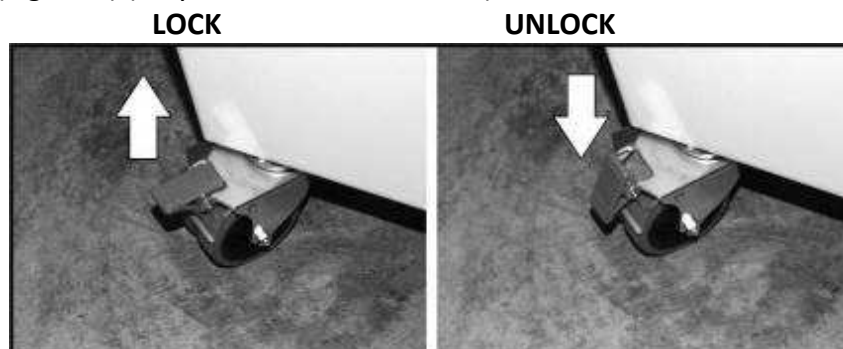


Figure 7

### 3.3 ELECTRICAL CONNECTION

Ensure that line voltage corresponds to that declared by the machine manufacturer and indicated in the identification plates (see paragraphs 2.2 TECHNICAL FEATURES). Connection to the site's electrical system must be carried out in compliance with the laws and regulations in force, with reference to the data and indications given in this manual. The machine is supplied complete with cable and three-phase/single-phase plug, with earth pole. Electrical connection must be carried out by a qualified engineer.

**ATTENTION! A magnetothermic device must be fitted downstream the power socket so as to ensure disconnection from the electric grid; the minimum opening distance between contacts is 3 mm.**

Should the power voltage fluctuate with intervals that exceed tolerance values, as specified in the table (see par. 2.2) it will be necessary to adopt a stabilizer.



The manufacturer declines any responsibility in case of missing or non-conforming earthing system.

**IMPORTANT! Check phase connection before starting up the machine. Start the machine as described in chapter 3.4.3 and then move the joystick to the left (Ref. 1 Figure 8): the belt should start moving from right to left (as illustrated in the figure)**

**ATTENTION: if the belt moves in the opposite direction, disconnect the power and invert one phase in the plug.**

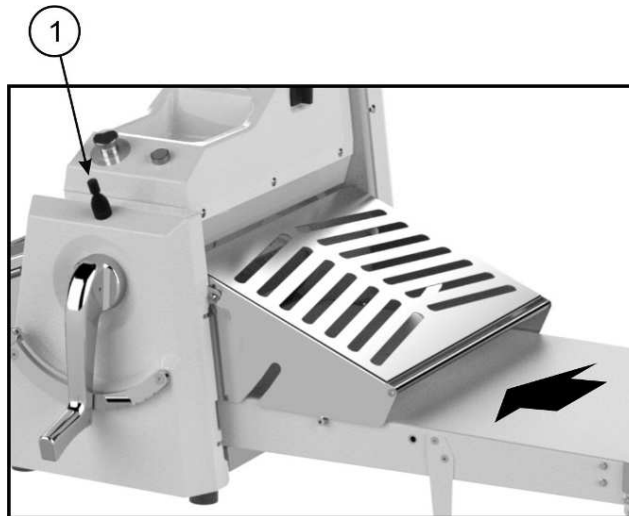


Figure 8

### 3.4 OPERATION AND USE

**ATTENTION! VERY IMPORTANT!**

The machine can only be used if the conditions illustrated in par. 2.1 are present. Only one operator can run the machine at any given time. Anyone who does not possess the qualifications illustrated in this manual is not allowed to carry out any operation on/with the machine. These conditions are necessary, albeit not sufficient, to safely use the machine.

**The machine must be used only by adequately trained and informed personnel that has been expressly authorized;** it is the employer's duty to appoint suitable people to use the machine and to provide them with the necessary information and training.

The Manufacturer declines any and all responsibility for damages to people, animals and properties due to failure to comply with the provisions contained in this manual.

---

The operator using the dough sheeter for production purposes should position himself in front of the machine, on the controls side.

### 3.4.1 PRECAUTIONS AND PRELIMINARY CHECKS

- Before using the machine, ensure that all the wheels fitted with brakes are blocked (see Figure 7)
- **At the beginning of each working day** and/or working shift follow the instructions given in par. 6.4 to ensure that all the safety devices are efficient

### 3.4.2 GENERAL INFORMATION ON STANDARD OPERATION

Before starting to use the dough sheeter, please consider the following information:

- Switch off the machine at the end of each working day or shift: turn the main switch to O (OFF) and disconnect the power plug.

### 3.4.3 STARTING AND OPERATION

- Use the plug (if provided) to connect the machine to the power socket
- Make sure that all the guards ref. 3 are closed (if not, the machine won't work)
- Make sure that the emergency stop push-button ref. 3 Figure 4 is disabled (if not, reset it)
- Check that the joystick ref. 6 Figure 4 is in central position (machine stopped)
- Position the main switch to **I (ON)** ref. 1 Figure 4

### 3.4.4 OPERATION AND MACHINE USE

After switching on and enabling the machine as described in par. 3.4.3, it is possible to start working:

- Put the dough on the work table
- Rotate the adjusting lever ref. 11 Figure 1 and position the cylinders at the correct thickness for the first pass (See paragraph 3.4.5, dough thickness adjustment)
- The joystick that controls the inversion of the belts has 3 pre-set positions: when it is in the central position the machine does not operate. When it is on the left, the belt moves from right to left and when it is on the right, the belt moves in the opposite direction, that is from left to right.
- To start producing sheets, move the joystick ref. 6 in the opposite direction compared to the side where the dough has deposited: the belt will start moving towards the cylinders. To reverse the rotation direct of the belts, just move the handle opposite the current direction. The same is valid when using the reversal pedal ref. 7 (only for R55)
- When using the model with speed adjustment (inverter), use adjuster ref. 4 to select the required work speed
- To stop the machine during standard operation (for example to turn over or fold the dough), just put the handle back in its central idle position.
- Do not enable the safety guards to stop the dough sheeter and only use the emergency push-button if there is an actual emergency situation. **If the machine is stopped using either of the above described systems, press the operation push-button ref. 6 to resume operation**

### 3.4.5 DOUGH THICKNESS ADJUSTMENT

Use the adjustment handle ref. 1 Figure 9 to change the opening of the laminating cylinders and consequently the thickness of the dough being processed until the desired thickness is achieved. The machine is fitted with an adjustable mechanical stop ref. 3 that allows setting the final required thickness so as to obtain perfect process repeatability.

To set the final dough thickness, proceed as follows:

- Use handle ref. 1 to select the required value by setting it in line with the notch ref. 2 (the values on the scale are only indicative and do not correspond to actual millimetres)
- Unscrew the lock pawl ref. 3 and move the stop along the dedicated rail until it comes into

contact with the handle.

- Stop the lock pawl

To remove the stop, unlock the lock pawl ref. 3 and move it to the left.

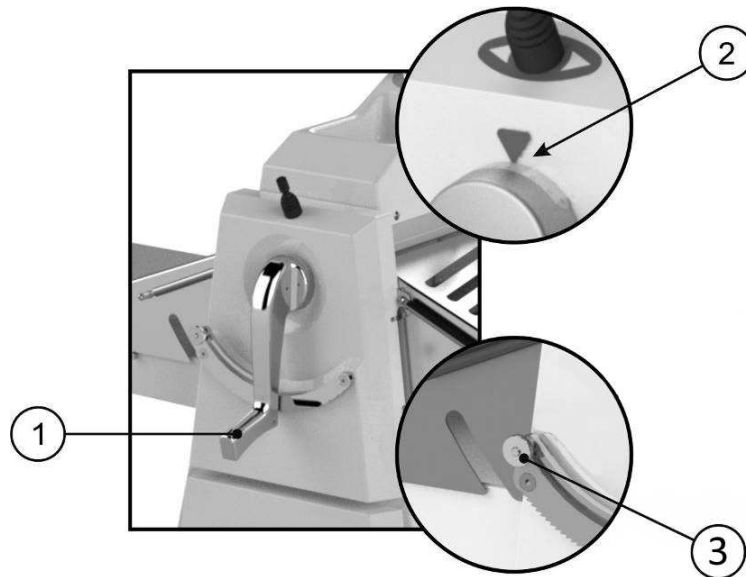


Figure 9

### 3.4.6 FLOUR COLLECTION DRAWER (ONLY VERSION R55)

The machine is fitted with an excess flour collection drawer (ref. 1 Figure 10). To remove the drawer (for example to empty and/or clean it), set the main switch to O (OFF) and unplug the power plug, to prevent the machine from starting. Lift one of the two mobile guards and then lift the work table on the same side. After having emptied and cleaned the drawer, put it back on the base and restore the machine's original condition.

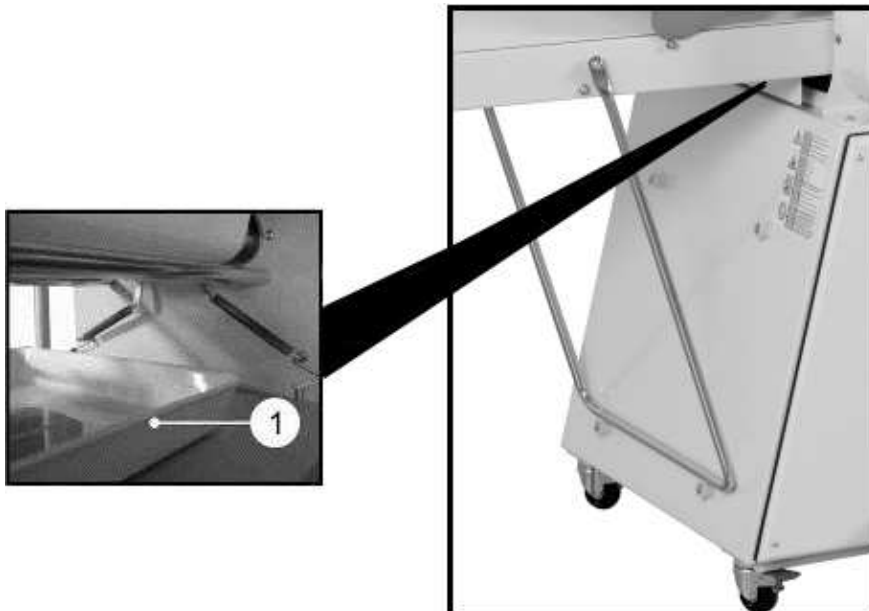


Figure 10

## 4 MAINTENANCE

### 4.1 FOREWORD

Over time, the machine may need some maintenance operations that can be divided in:

- **Ordinary maintenance:** periodical and/or occasional operations necessary to ensure that the machine is in a good and efficient state and that do not require the intervention of expert personnel; these **may be carried out by unskilled personnel with a basic knowledge of the machine**, as long as the instructions given in this manual are followed.
- **Extraordinary maintenance:** periodical and/or occasional operations necessary to ensure the machine is in a good and efficient state that require preparation and/or professional expertise and/or specific knowledge; **these must be carried out by skilled and professionally qualified personnel** (where required by the laws and regulations in force) who possess the necessary technical and regulatory knowledge to carry out state-of-the-art interventions.



**ATTENTION!** Unless otherwise provided for in this manual, **every maintenance and/or cleaning operation**, even the simplest one, **must be carried out only after having positioned the main switch to O (OFF) and after having disconnected the power plug** so as to avoid starting the machine. **Should an intervention require the removal of a guard and/or the disabling of a safety device make sure that all measures are taken so that thirds are not exposed to any consequent risks.** **All guards must be repositioned** and locked using the corresponding fastening devices and **all safety devices must be reset as soon as the reason for their removal/disabling has stopped.**

### 4.2 PERIODICAL MAINTENANCE (ordinary maintenance)

- **At the end of each working day or shift, clean the machine thoroughly**, following the instructions given in par. 5
- **At the beginning of each working day or shift, make sure that all safety devices are efficient**, by carrying out the checks illustrated in par. 6.4

### 4.3 BELT TENSION

Should the belts slip around the pulling roll or not be correctly aligned, it will be necessary to stretch them. Remove the screws ref. 1 Figure 11 (on both sides) and rotate the belt side guard ref. 2 so as to access the tensioning screw. Use nut ref. 3 to adjust belt tension and then put back the two side protections ref. 2 using the screws ref. 1.

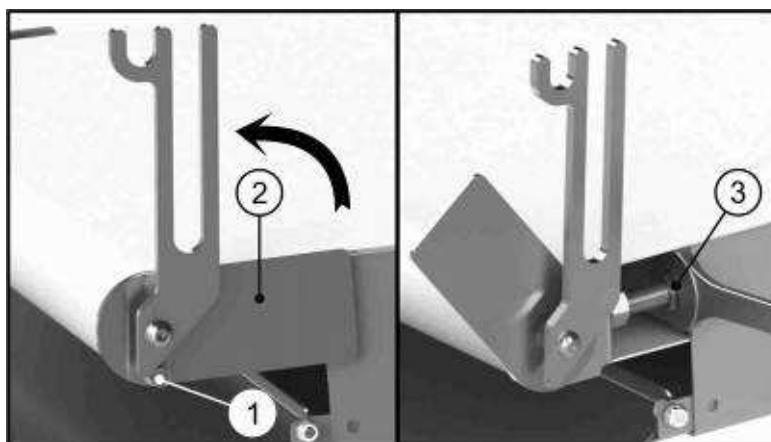


Figure 11



---

#### 4.4 CHAIN TENSION (EXTRAORDINARY MAINTENANCE)

This intervention must be carried out by specialized engineers with experience in the field of mechanical assembly.

To adjust the tension of the two chains ref. 1, proceed as follows, with reference to Figure 12:

1. Remove the back guard from the machine
2. Loosen the 4 screws ref. 2 that lock the motor
3. Use the small lever ref. 3 to lift the motor and stretch the chain (as illustrated in the figure)
4. Fasten the 4 screws ref. 1 to lock the motor
5. Assemble the back guard on the machine

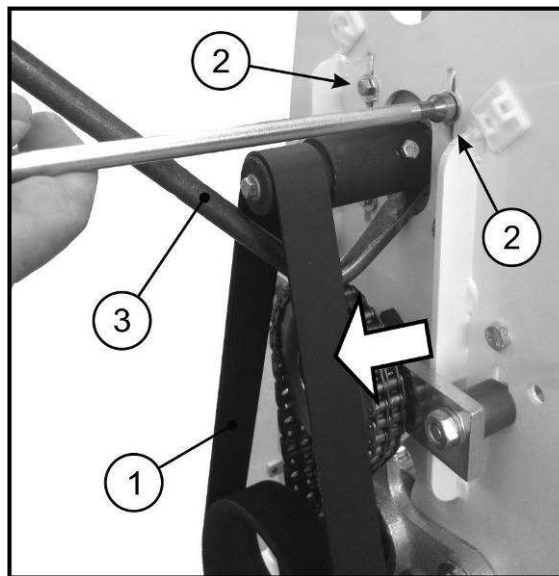


Figure 12

#### 4.5 CHAIN REPLACEMENT (extraordinary maintenance)

This operation must be carried out by specialized engineers with experience in the field of mechanical assembly.

To replace the chains, proceed as follows (refer to Figure 12):

1. Remove the back guard from the machine
2. Loosen the 4 screws ref. 2 that lock the motor and then lower it as much as possible
3. Slide out and replace the chains and correctly position them in the grooves of the pulleys
4. Use the small lever ref. 3 to lift the motor and stretch the chain (as illustrated in the figure)
5. Fasten the 4 screws ref. 1 to lock the motor
6. Assemble the back guard on the machine

#### 4.6 INTERVENTIONS TO BE CARRIED OUT EXCLUSIVELY BY AUTHORIZED ENGINEERS

**Any maintenance intervention that does not fall within the types described until now, should be considered as extraordinary maintenance operation and must be carried out exclusively by engineers appointed by the manufacturing company or authorized by the same.**

## 4.7 POSSIBLE FAILURES AND/OR FAULTS

We illustrate hereafter some anomalous conditions that may occur during machine operation. Any intervention following a failure or a fault must be carried out in compliance with the instructions, where given, and in any case after having disconnected the machine from the power.

Problem	Possible causes	Solutions
<b>The machine does not switch on</b>	• No power supply	- make sure the machine is plugged in completely; - check the guards of the electric line in the work room and reset them, if necessary
	• Protection fuses triggered	- Replace them ( <b>extraordinary maintenance</b> )
	• One emergency push-button has been pressed	- reset the emergency push-button
	• The mobile guards are not correctly closed	- make sure that the guards are closed
	• Faulty controls	- request intervention by the manufacturing company
<b>The machine is very noisy</b>	• Dirty scrapers	- see par. 5.2
<b>The machine operates inconsistently</b>	• Unsuitable motor chain tension	- stretch the chains as described in par. 4.4 ( <b>extraordinary maintenance</b> )

## 4.8 ELECTRICAL MAINTENANCE



**Before accessing any powered part, disconnect the plug from the power socket.** The plug must be visible at all times, so that it is possible to see that the "machine is not powered".

Any intervention carried out directly or indirectly on the machine's electrical components **must be carried out by specialized engineers who have been professionally trained, possess the necessary technical and regulatory knowledge to carry out state-of-the-art interventions and have been expressly appointed to carry out such interventions, and who have read this manual before working on the machine.**

The wiring diagram is given with the manual and is an integral part of the same.

The electric board is on the left side of the machine.

---

## 5 CLEANING THE MACHINE

Empty the flour collection drawer (see par. 3.4.6) and clean it, both inside and outside; slide it back in position. To clean the machine, use a Hoover with a thin nozzle together with brushes to remove residues from areas that are difficult to reach.



Wet a clean cloth, and add some neutral detergent if necessary, to remove any stain from the machine.

**Do not spray water jets** against the machine.

**Do not use abrasive sponges or cloths.**

**Do not use metal objects**, especially with sharp tips or sides **in order to avoid damaging any part or the external varnish.**

**Do not use alcohol or solvents in general.**

**Do not use compressed air.**

### 5.1 REPLACING THE BELTS

To replace the belt, remove the work tables. Before assembling or disassembling the work tables, set the main switch to O (OFF) and unplug the power plug, to prevent the machine from starting.

This operation must be carried out by specialized engineers with experience in the field of mechanical assembly.

To correctly disassemble the tables, proceed as follows and refer to Figure 13:

- Remove the elastic plug ref. 1 of the handle and slide it out, ref. 2
- Remove the toothed sector ref. 3 by unscrewing the two side screws
- Remove the 4 screws that fasten the front guard and remove it, ref. 4
- Insert a pin punch in the pinion hole ref. 6 to prevent the cylinder from rotating; then completely unscrew screw ref. 7 using a hexagonal wrench AC6. Once the screw has been removed, the gear unit will be completely released from the table
- Lift the cover ref. 5 from the table
- Lift the table to be removed and lock it in position. Unscrew the two screws ref. 8 located just under the table, on the left and on the right
- Remove the dough collection tray ref. 9 and the guard ref. 10 (Figure 14)
- Lower the table by locking it into position on the supports. **Before carrying out the next operation, another operator must hold the table so that it does not fall after all the fastening screws have been loosened.**
- Unscrew the two screws ref. 1 located just over the table, on the left and on the right
- Slide out the table from its housing and rest it perpendicularly on a stable and secluded surface so as not to damage it
- Remove the table support ref. 12 and completely loosen the belt, as illustrated in chapter 4.3
- Bring back the rolling pin support ref. 13 and the protection sheet ref. 14 to the closing position (see Figure 14)
- Remove the belt ref. 15 holding it vertically and replace it with a new one

- Follow the reverse procedure to bring back the machine to its original working conditions.  
**Attention: when the screw ref. 7 is screwed back in, ensure that the coupling is fitted correctly and then fasten the screw using a Torque wrench (43Nm)**

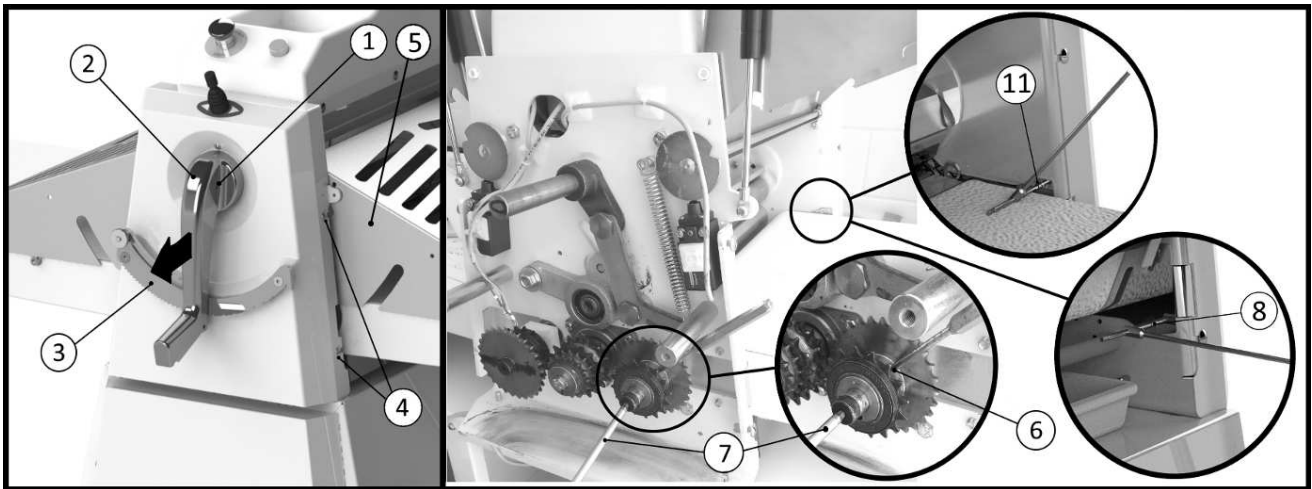


Figure 13

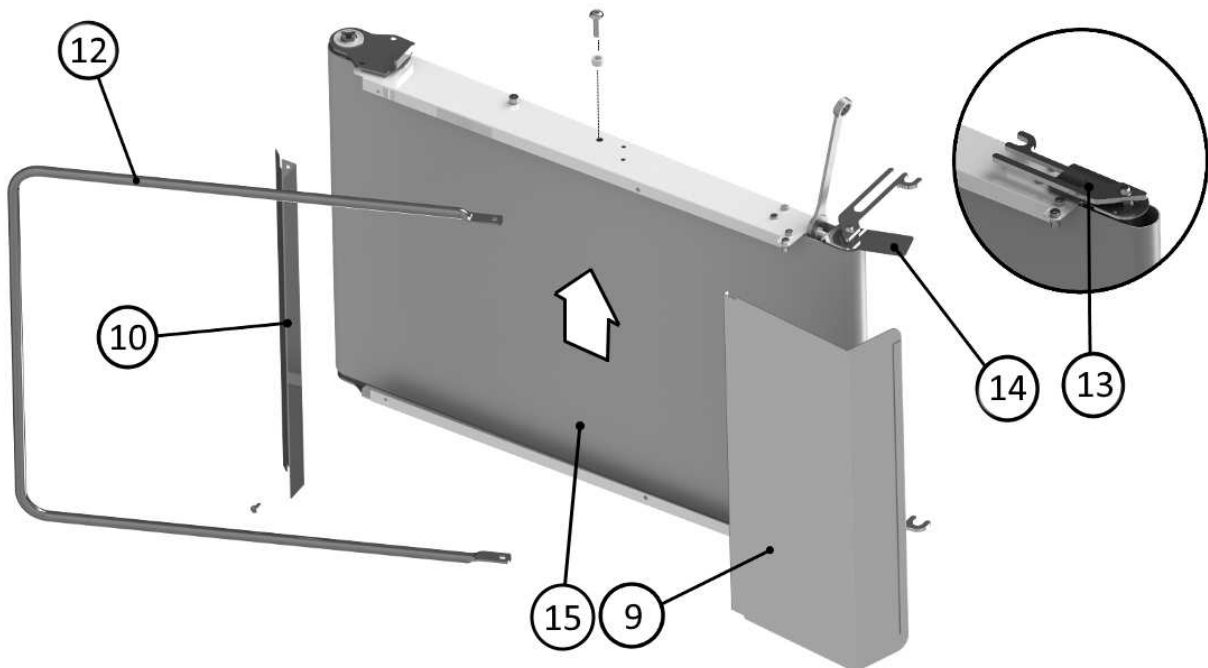


Figure 14

## 5.2 CLEANING THE SCRAPERS

### UPPER ROLLER SCRAPER

Before any assembly and disassembly operation, take the main switch to O (OFF) and unplug the power plug, to prevent the machine from starting.

To carry out this operation, do as indicated hereafter, with reference to

- Open the mobile guards ref. 3 Figure 1
- Unscrew the 3 pawls ref. 1 Figure 15 that fasten the scraper and remove them
- Remove the scraper ref. 2 Figure 15 by pulling it upwards and then clean it
- After cleaning it, restore the machine's original conditions

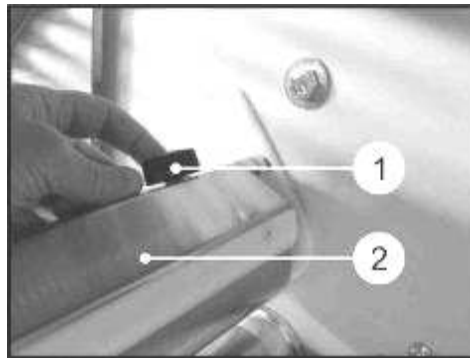


Figure 15

### LOWER ROLLER SCRAPER

Before any assembly and disassembly operation, turn the main switch to O (OFF) and unplug the power plug, to prevent the machine from starting.

To carry out this operation, refer to the following procedure and to Figure 16, one table at a time:

- Open the mobile guard ref. 3 Figure 1 and then lift the table to access the tensioning springs
- Release both springs ref. 1 that keep the scraper stretched, using the dedicated eyelet and then lower the table
- Remove the scraper ref. 2 by lifting it vertically, using the eyelets located on the two sides
- To reposition the scraper, correctly insert it between the pins fastened to the shoulders and the lower roller: the recess ref. 3 must be opposite the cylinder
- Stretch the scraper by hooking the springs to the pins

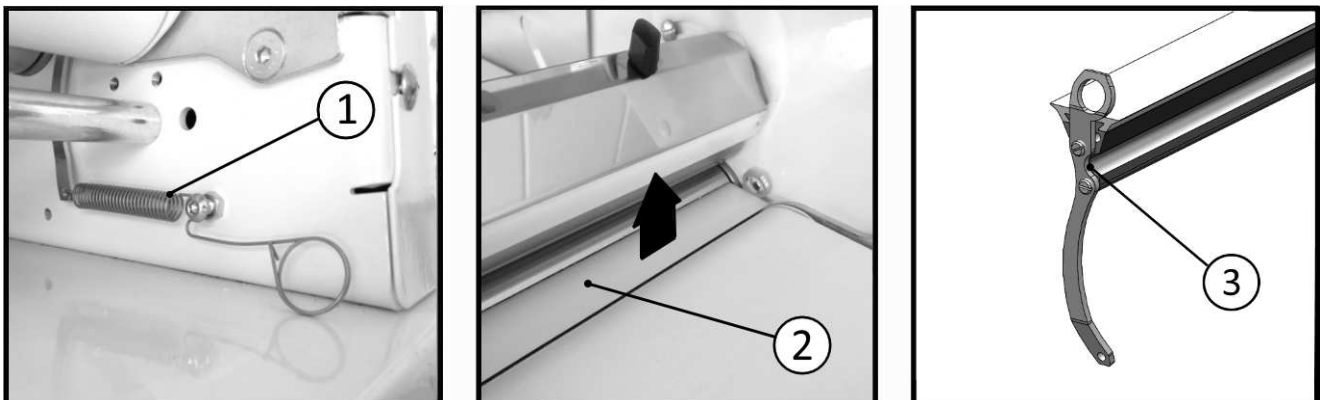


Figure 16

---

### 5.3 LONG STOPS OR SERVICE DISCONTINUATION

In case of long stops or service discontinuation, disconnect the machine from the electric grid; clean it thoroughly and cover it using clean and waterproof sheets to protect it from the agents, dust, insects, rodents, etc. Adopt any measure to prevent the machine from being hit, tampered with, damaged, manhandled, etc.

Before using it again, carry out a thorough check to ensure it is still whole and complete and after that proceed as if it were a first start-up.

## 6 SAFETY

### 6.1 FOREWORD

The description of risks and any remarks contained in this chapter are based:

- On the knowledge of the normal condition and the intended use of the machine.
- On the assumption that the machine is used for professional use (if only for cleaning, maintenance, etc.) the operators have been suitably informed and instructed on specific and general risks in the workplace, in compliance with the laws and regulations in force.
- On the assumption that the professional user meticulously complies with the instructions affixed directly onto the machine.

#### **VERY IMPORTANT!**

Before starting up the machine and/or operating it, the user must have read and understood the instructions and indications given in this manual; consequently, anyone who uses the machine and/or allows its use implicitly accepts all and any public and criminal liability for damages to people, animals and properties that may occur following failure to respect such instructions and indications, even if partially.

### 6.2 HAZARDS, SAFETY DEVICES AND RESIDUAL RISKS

In compliance with Directive 2006/42/CE we hereby provide clear and concise information on the dangers that characterize the machine and on the corresponding risks, along with the measures that have been adopted to eliminate them or reduce them; where it proved to be impossible to completely eliminate a risk, we provide information on the relative residual risk and on any further measure to be adopted to further limit its seriousness.

#### 6.2.1 DANGERS AND CORRESPONDING RISKS THAT CHARACTERIZE THE MACHINE

The machine is characterized by the following risks:

##### **Mechanical**

- **Crushing, cutting, gripping, pulling** due to contact with moving mechanical components

##### **Electrical:**

- **Electrocution** due to direct or indirect contact with powered parts or due to external factors affecting the electrical equipment.

The corresponding risks have been eliminated or reduced as much as possible.

### 6.3 SAFETY DEVICES AND REMARKS

With reference to Figure 17 we hereby indicate the safety devices present on the machine:

- Mobile guards ref. 1 with safety microswitch ref. 2
- Emergency switch ref. 3

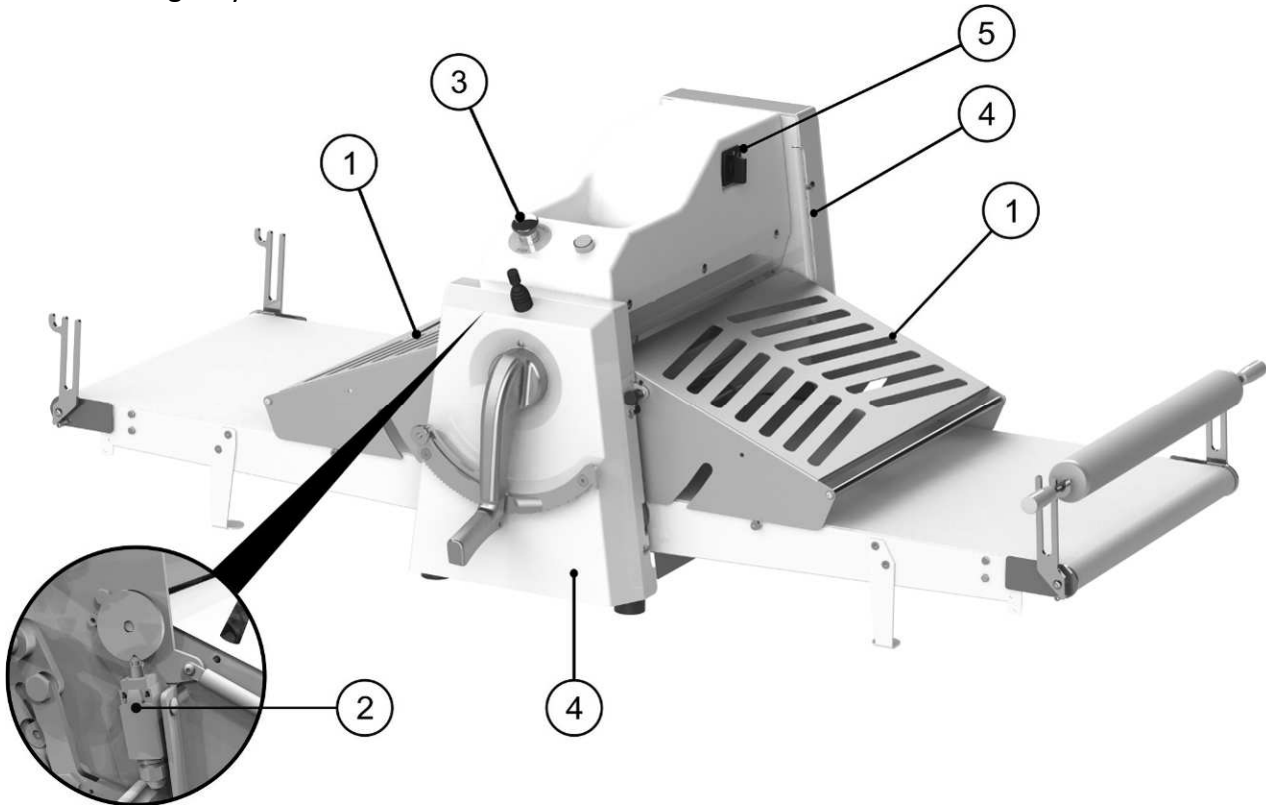


Figure 17

**Fixed guards.** They are all the protections that are fastened to the machine and that require the use of at least one tool to remove them. With reference to Figure 17 we are mainly referring to the following items already described in this manual:

- Front and back transmission guards ref. 4
- Upper guard for electrical panel and control gear ref. 5

#### **ATTENTION**

It is absolutely forbidden to open and/or remove the safety devices except when really necessary for maintenance purposes, and only after adopting all the measures for the detection of consequential risks. These operations should only be carried out if strictly necessary and over a restricted period of time; they must be carried out only and exclusively by expert, trained and expressly authorized personnel. The safety devices must be reset and the protections put back in place and fastened using any of the supplied tools as soon as the reason for their removal/disabling has been eliminated.

---

## 6.4 CHECKING THE EFFICIENCY OF THE SAFETY EQUIPMENT

Any check mentioned in this paragraph must be diligently carried out on a daily basis by operators who are able to use the machine and have been trained and informed on the residual risks that characterize it; the machine may not be used, and use of the same by thirds must be prevented, if even one of such checks gives a negative result. In this case, request the intervention of a specialized and expert engineer who is intimately familiar with the safety regulations in force. With reference to the safety equipment described in par. 6.3, and to any remarks on the matter, the following checks must be carried out at the beginning of each working day and/or shift:

1. Visual check to make sure that all fixed guards are in perfect conditions, free from corrosion, dents, etc. and fastened using the provided parts (screws)
2. Check that all mobile guards are integral and not bent.
3. Check the interlocking devices of the mobile guards ref. 2 Figure 17 as provided for by the standard UNI EN 1674:2015, paragraph 5.2.1.1. Use a 65-mm high gauge block and slide it between the belt and the cylinder-shaped guard: the microswitch must trigger when the guard is lifted. The push-button that enables operation, ref. 5 should switch off: if not, call a technician to correctly adjust the microswitch and reset the machine to standard conditions.

## 6.5 RESIDUAL RISKS OF MECHANICAL ORIGIN

**DURING MAINTENANCE OPERATIONS** (handling, maintenance, cleaning operations, etc.), if the machine is used in compliance with the instructions herein, **the machine is characterized by the following residual risks**, already described in previous paragraphs, and hereunder briefly summarized for your reference:

**Risk of fingers becoming trapped** in slots, openings, fissures, etc. that may become accessible once certain components are disassembled to allow maintenance operations.

During professional use of the machine, **all the residual risks** described here, which are extremely limited, **can be reduced even further if:**

- the employer provides the operators with suitable information and training on how to correctly and safely use the machine, based on specific work procedures and demands that the latter are strictly complied with.
- the operators scrupulously comply with all the instructions given by the employer and by this manual, remains concentrated on his/her task and refrains from doing any unusual movement and/or action.

## 6.6 RESIDUAL RISKS OF ELECTRICAL ORIGIN

The risk is connected to possible accidental contact with powered parts, for example during maintenance operations.

**ATTENTION!** Before disassembling/opening any guard or component that may allow access to powered parts (or to dangerous parts in general), and/or before carrying out any operation on powered parts, the appointed engineer must disconnect the plug from the power socket and position the plug so that it is visible at all times and thus verify that the machine is not powered. There are no reasonably foreseeable reasons why an engineer should operate directly on powered parts.

The expertise of engineers who are requested to carry out such operations should guarantee against the risks; anyhow, we remind you that **all electrical operations must be performed by skilled and professionally qualified operators able to perform state-of-the-art interventions and who are familiar with the legal provisions on this matter.**



## 6.7 INFORMATION ON NOISE



On the basis of sound measurements carried out on the machine using a Class 1 sound level meter and a microphone positioned on the front part of the machine, that is where the operator should normally stand, (at approximately 200 mm horizontally from the front part of the machine and at 1.6 m from the floor), while working without load and in normal conditions, the equivalent continuous A-weighted sound pressure (LAeq) level is lower than 70 dB(A), even when considering a maximum error equal to + 2.0 dB(A).

## 6.8 SAFETY SIGNS

The safety signals illustrated in Figure 18 is affixed on the machine:

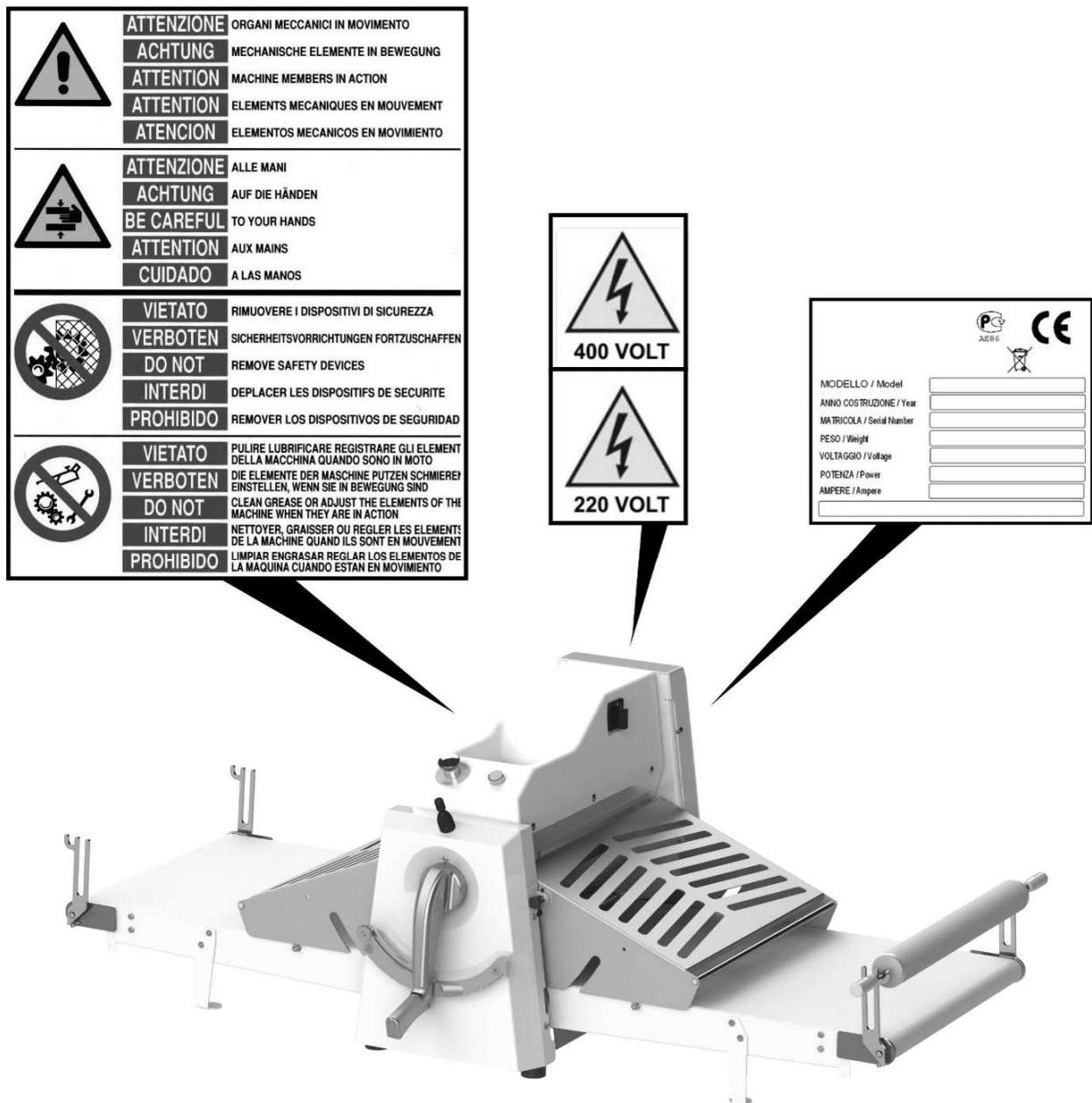







Figure 18

	Danger: voltage at 400 / 220 Volt
	Danger: moving mechanical parts
	Danger: possible crushing of upper limbs
	Do not remove the safety devices
	Do not clean, lubricate and adjust any machine components while they are moving

Ensure that all images and colours on the signals are in perfect conditions; they must be replaced as soon as they show any sign of deterioration. Immediately inform the appointed operator and/or supervisor who will adopt the necessary measures.

## 7 DISMANTLING

Should the machine be dismantled, separate the different components according to the material they are made of and dispose of them in compliance with the current laws and regulations. Remove any lubricant that must be disposed of separately.

Contact companies that are specialized in waste disposal.

**Varnished Steel Fe:** machine structure, front and back guards, work tables, flour collection drawer.

**Stainless steel:** mobile guards, dough collection trays.

**Plastic, rubber:** base wheels, scrapers, flour collection drawer, upper, lower and back guards, flour tray.

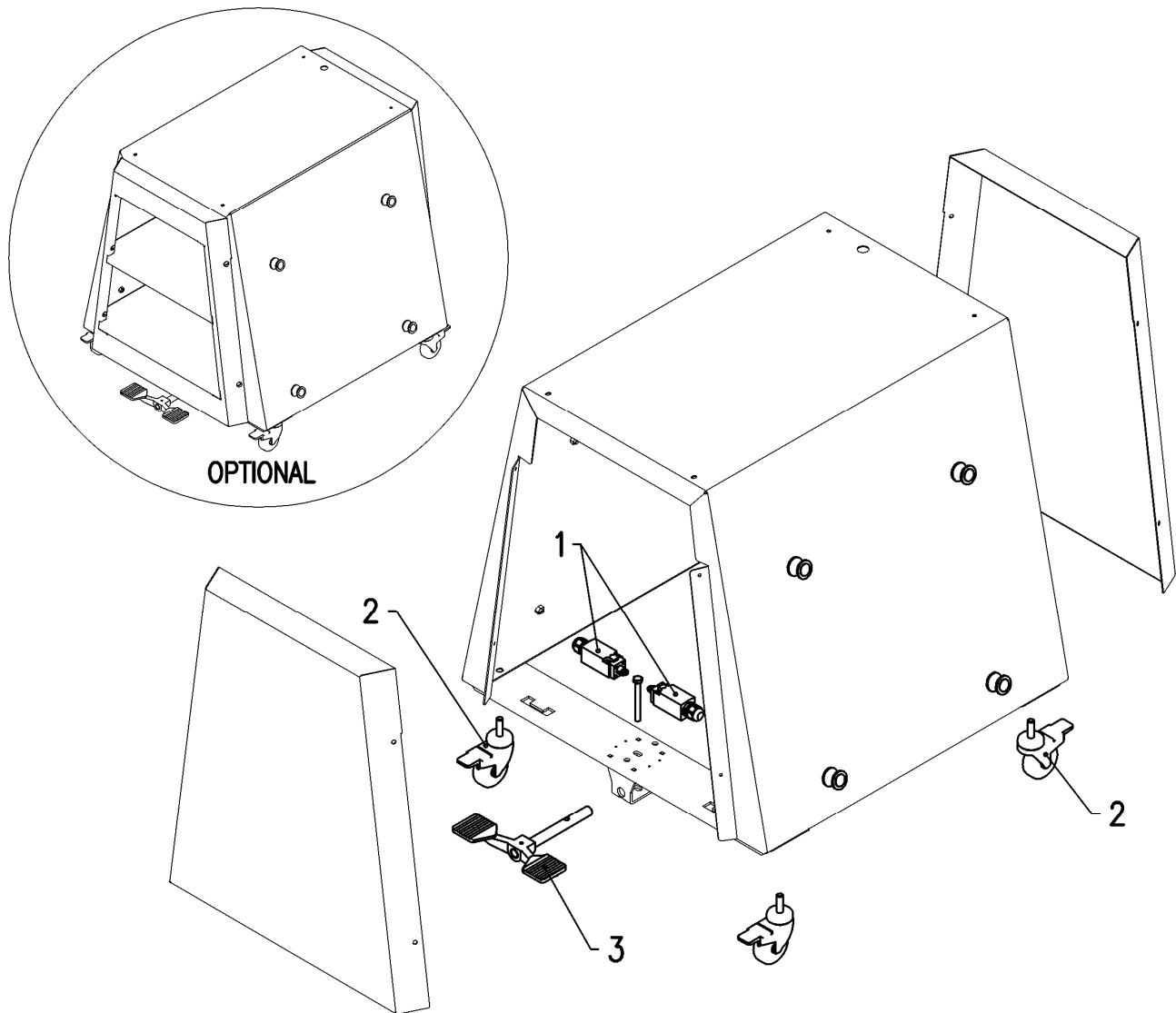
**Miscellaneous material:** electrical components, motors (copper coils).

The symbol on the equipment illustrated here indicates that it must not be disposed of as urban waste, but must be taken to the appropriate WEEE collection centres to be treated in compliance with the regulations on disposal of electrical and/or electronic devices.



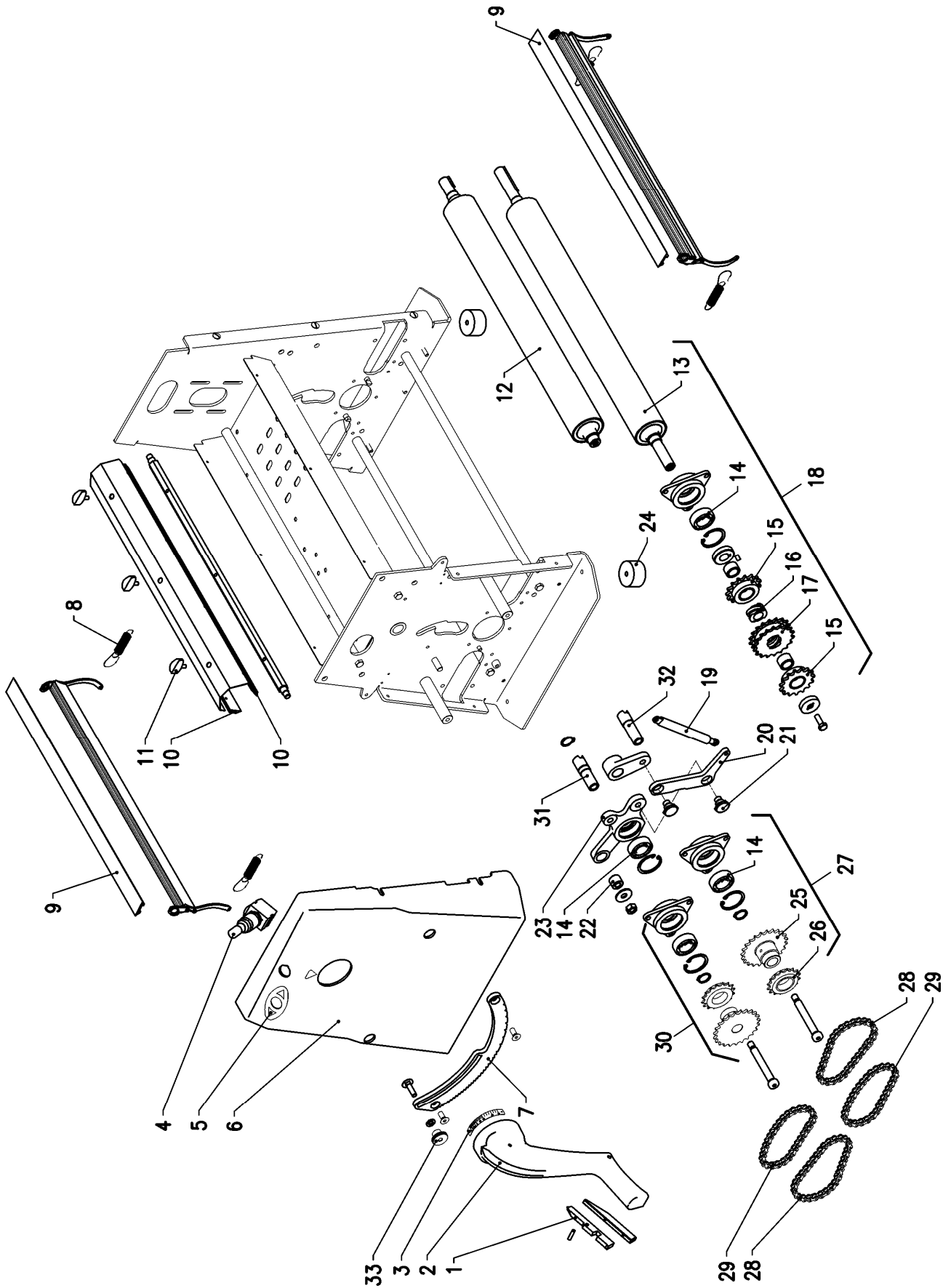
Incorrect or inappropriate disposal of the equipment or of any parts may produce negative and potentially dangerous effect on the health and the environment.

Sfogliatrice - <b>Dough Sheeter</b>	ELENCO PARTI DI RICAMBIO <b>SPARE PARTS LIST</b>	ALLEGATO1	
<b>R55 – R55B</b>		23/05/2017	Rev. A



POS.	COD.	DESCRIZIONE - DESCRIPTION
1	S00043	MICROINTERRUTTORE - <b>MICROSWITCH</b>
2	C00437	RUOTA PIVOTANTE D.60 + FRENO – <b>SWIVEL WHEEL + BRAKE</b>
3	G00322	PEDALE - <b>PEDAL</b>

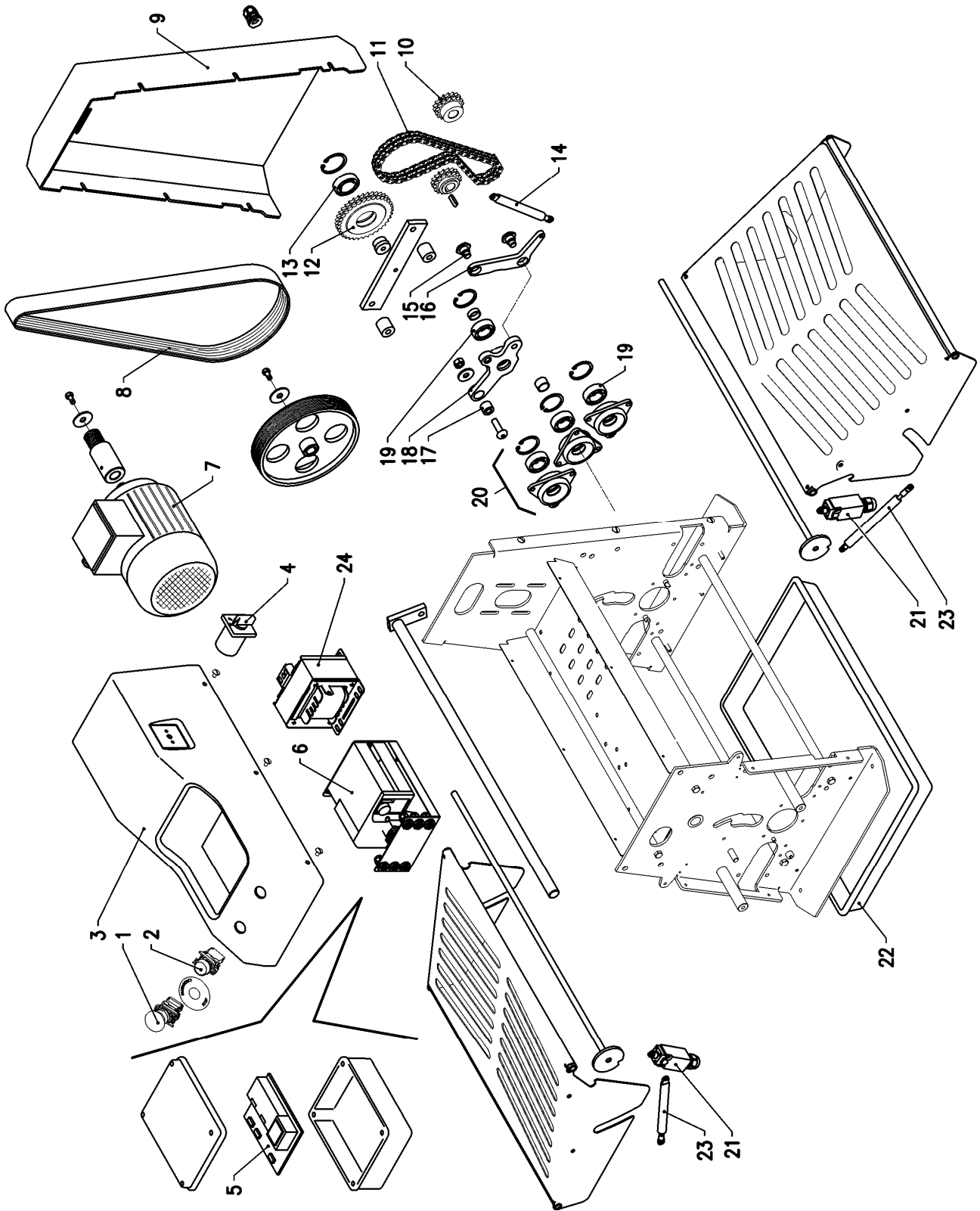
Sfogliatrice - Dough Sheeter	ELENCO PARTI DI RICAMBIO	ALLEGATO1	
R55 – R55B	SPARE PARTS LIST	23/05/2017	Rev. A



Sfogliatrice - <b>Dough Sheeter</b>	ELENCO PARTI DI RICAMBIO <b>SPARE PARTS LIST</b>	ALLEGATO1	
<b>R55 – R55B</b>		23/05/2017	Rev. A

POS.	COD.	DESCRIZIONE - DESCRIPTION
1	D02001	DENTE PER MANIGLIA - <b>TOOTH FOR HANDLE</b>
2	D01689	MANIGLIA - <b>HANDLE</b>
3	S00069	ETICHETTA - <b>LABEL</b>
4	C00225	JOYSTICK 2 POSIZIONI - <b>JOYSTICK</b>
5	C00597	INDICATORE - <b>INDICATOR</b>
6	D04539	CARTER ANTERIORE – <b>FRONT COVER</b>
7	D01992	CILINDRO TAPPETO – <b>BELT CYLINDER</b>
8	D01212	MOLLA RASCHIATORE - <b>SCRAPER SPRING</b>
9	D01988	RASCHIATORE INFERIORE – <b>LOWER SCRAPER</b>
10	D02036	RASCHIATORE SUPERIORE – <b>UPPER SCRAPER</b>
11	C00609	GALLETTO - <b>WINGNUT</b>
12	D01990	CILINDRO SUPERIORE – <b>UPPER CYLINDER</b>
13	D01991	CILINDRO INFERIORE – <b>LOWER CYLINDER</b>
14	C00168	CUSCINETTO 6004 – <b>BEARING 6004</b>
15	D01980	CORONA DOPPIA – <b>DOUBLE CROWN</b>
16	D01997	VITE QUADRA – <b>SQUARE SCREW</b>
17	D01996	CORONA DOPPIA – <b>DOUBLE CROWN</b>
18	G00247	CILINDRO INFERIORE COMPLETO – <b>COMPLETE LOWER CYLINDER</b>
19	C00312	MOLLA - <b>SPRING</b>
20	D02030	BIELLA ANTERIORE – <b>FRONT CONNECTING-ROD</b>
21	D01829	PERNO BIELLA – <b>CONNECTING-ROD STUD</b>
22	D01830	PERNO BIELLA – <b>CONNECTING-ROD STUD</b>
23	D01978	BIELLA ANTERIORE – <b>FRONT ROD</b>
24	C00050	PIEDINI - <b>CYLINDRICAL FEET</b>
25	D01982	PIGNONE - <b>PINION</b>
26	C00445	RUOTA LIBERA – <b>FREE WHEEL</b>
27	G00224	FLANGIA COMPLETA – <b>ASSEMBLED FLANGE</b>
28	C00557	CATENA TRASMISSIONE - <b>TRANSMISSION CHAIN</b>
29	C00558	CATENA RUOTA LIBERA - <b>FREE WHEEL CHAIN</b>
30	G00222	FLANGIA COMPLETA – <b>ASSEMBLED FLANGE</b>
31	D04479	PERNO INNESTO SX – <b>JOINT PIN SX</b>
32	D04480	PERNO INNESTO DX - <b>JOINT PIN DX</b>
33	C00766	VOLANTINO ZIGRINATO – <b>KNURLED HANDWHEEL</b>

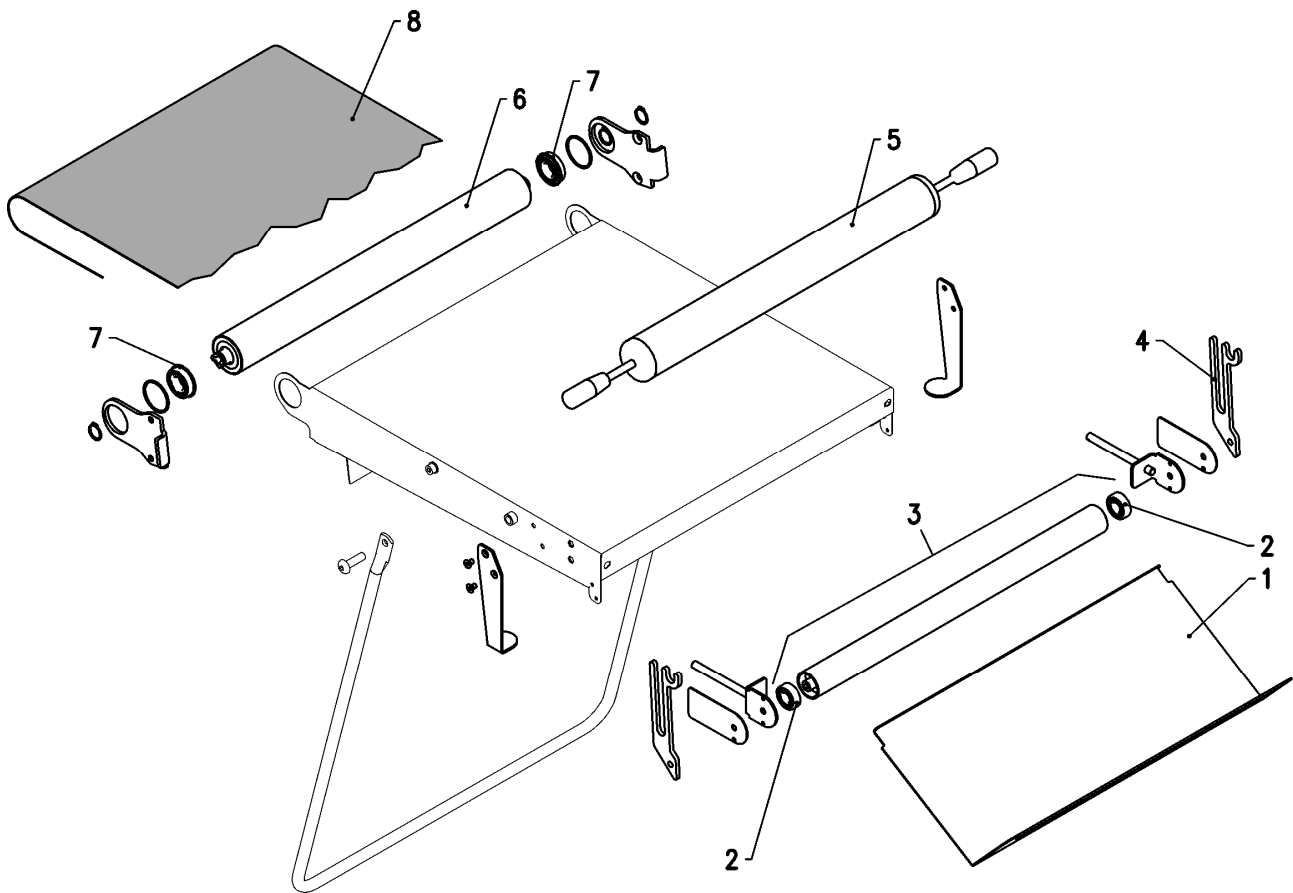
Sfogliatrice - Dough Sheeter	ELENCO PARTI DI RICAMBIO	ALLEGATO1	
R55 – R55B	SPARE PARTS LIST	23/05/2017	Rev. A



Sfogliatrice - <b>Dough Sheeter</b>	ELENCO PARTI DI RICAMBIO <b>SPARE PARTS LIST</b>	ALLEGATO1	
<b>R55 – R55B</b>		23/05/2017	Rev. A

POS.	COD.	DESCRIZIONE - DESCRIPTION
1	S00055	PULSANTE DI EMERGENZA - <b>EMERGENCY BUTTON</b>
2	S00056	PULSANTE START - <b>START BUTTON</b>
3	D04512	CARTER SUPERIORE – <b>UPPER COVER</b>
4	C00223	INTERRUTTORE GENERALE - <b>MAIN SWITCH</b>
5	S00062	SCHEDA ELETTRICA (versioni ad 1 velocità) - <b>ELECTRIC BOARD (1 SPEED VERSIONS)</b>
6	S00630	INVERTER MITSUBISHI
7	C00331	MOTORE - <b>MOTOR</b>
8	C00142	CINGHIA - <b>BELT</b>
9	D04540	CARTER POSTERIORE – <b>BACK COVER</b>
10	D01981	PIGNONE - <b>PINION</b>
11	C00559	CATENA DOPPIA - <b>DOUBLE CHAIN</b>
12	D01762	PIGNONE - <b>PINION</b>
13	C00169	CUSCINETTO 6005 – <b>BEARING 6005</b>
14	C00312	MOLLA - <b>SPRING</b>
15	D01829	PERNO BIELLA – <b>CONNECTING-ROD STUD</b>
16	D02030	BIELLA POSTERIORE – <b>BACK CONNECTING-ROD</b>
17	D01830	PERNO BIELLA – <b>CONNECTING-ROD STUD</b>
18	D01979	BIELLA POSTERIORE – <b>BACK CONNECTING-ROD</b>
19	C00168	CUSCINETTO 6004 – <b>BEARING 6004</b>
20	G00248	FLANGIA COMPLETA – <b>ASSEMBLED FLANGE</b>
21	S00043	MICROINTERRUTTORE - <b>MICROSWITCH</b>
22	C00103	VASSOIO FARINA – <b>FLOUR TRAY</b>
23	C00298	MOLLA A GAS – <b>GAS SPRING</b>
24		TRASFORMATORE - <b>TRANSFORMER</b>

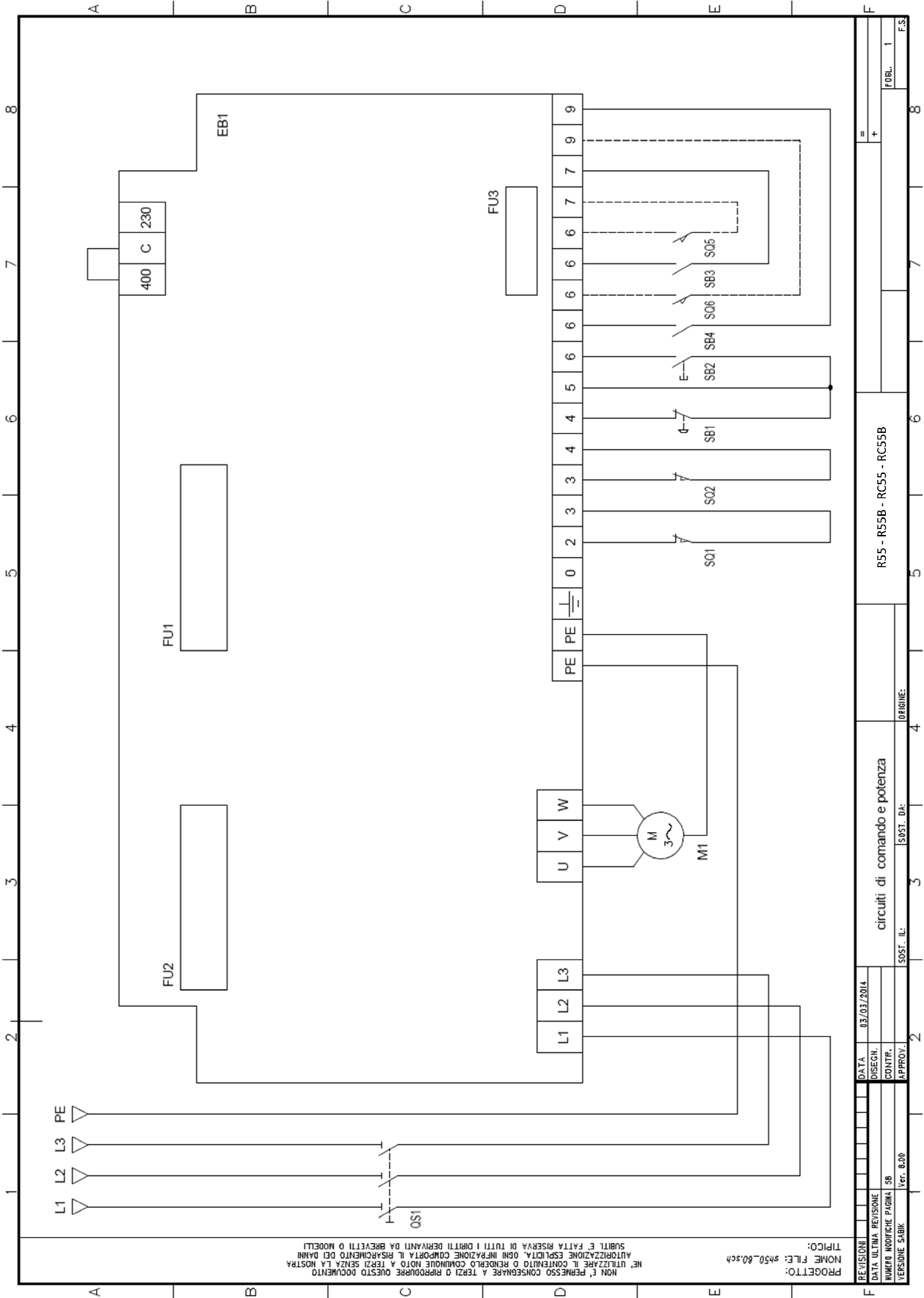
Sfogliatrice - <b>Dough Sheeter</b>	ELENCO PARTI DI RICAMBIO	ALLEGATO1	
<b>R55 – R55B</b>	<b>SPARE PARTS LIST</b>	23/05/2017	Rev. A



POS.	COD.	DESCRIZIONE - DESCRIPTION
1	D04709	VASSOIO PASTA – <b>DOUGHT TRAY</b>
2	C00174	CUSCINETTO – <b>BEARING</b>
3	G00677	RULLO TENDI TAPPETO COMPLETO – <b>ASSEMBLED BELT ROLLER</b>
4	D01831	SUPPORTO MATTARELLO - <b>REELER SUPPORT</b>
5	G00674	MATTARELLO – <b>REELER</b>
6	D04478	CILINDRO TAPPETO – <b>BELT CYLINDER</b>
7	C00777	CUSCINETTO – <b>BEARING</b>
8	S00742	TAPPETO 500 mm - BELT
8	S00717	TAPPETO 700 mm - BELT
8	S00713	TAPPETO 800 mm - BELT
8	S00718	TAPPETO 900 mm - BELT
8	S00719	TAPPETO 1000 mm - BELT
8	S00720	TAPPETO 1200 mm - BELT



**400V 50-60 Hz 0,55 kW – VELOCITA' SINGOLA – SINGLE SPEED**

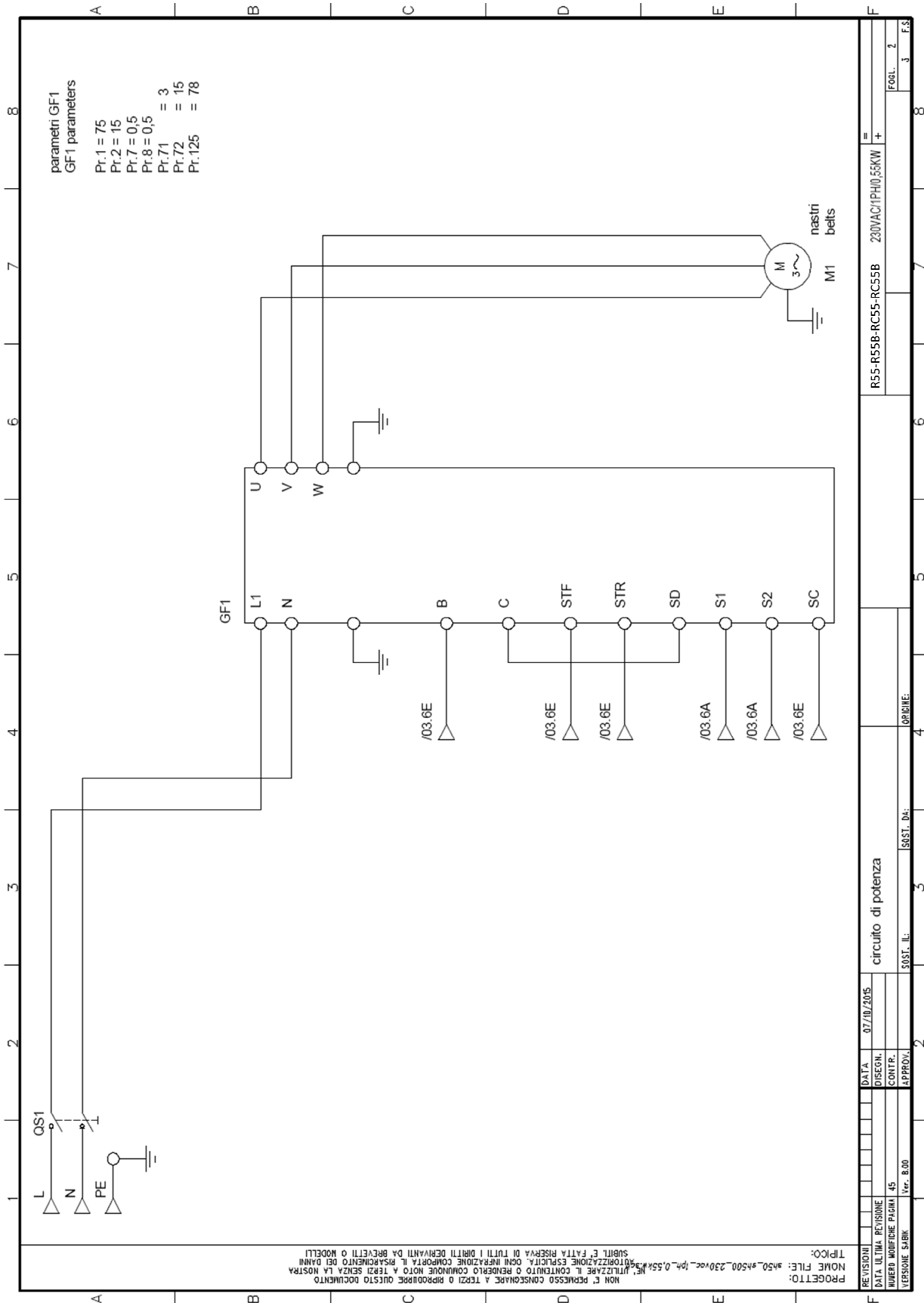


Sfogliatrice - <b>Dough Sheeter</b>	SCHEMA ELETTRICO <b>ELECTRIC DIAGRAM</b>	ALLEGATO 2	
<b>R55-R55B – R55-P – R55B-P</b>		22/05/2017	Rev. A

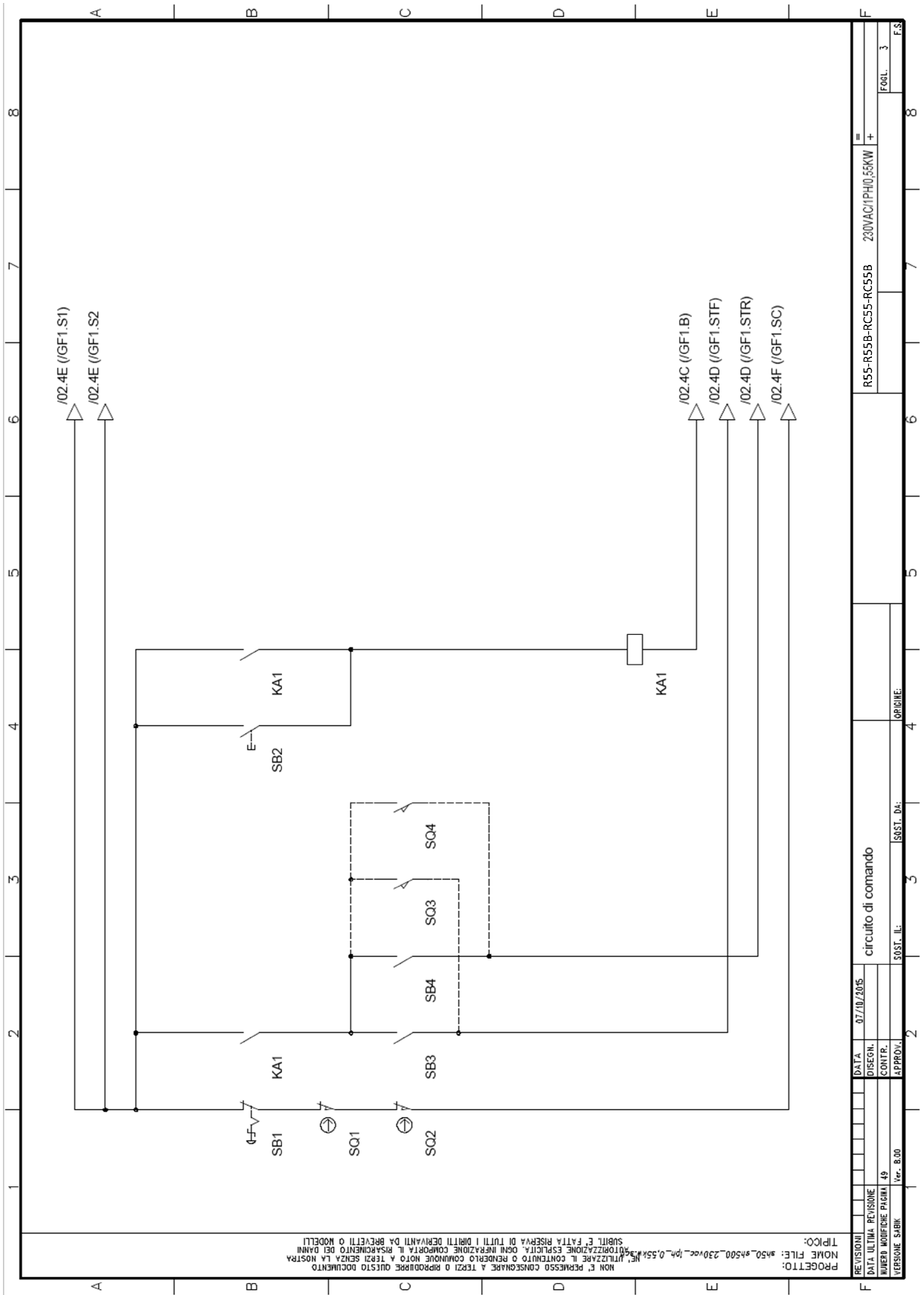
**400V 50-60 Hz 0,55 kW – VELOCITA' SINGOLA – SINGLE SPEED**

Data emissione:22/05/2017 Date of issue:22/05/2017		
DESCRIZIONE/SPECIFICATION		TIPO/PART NUMBER
EB1	SCHEDA ELETTRONICA – <b>Electronic board</b>	SA1201.0
FU1	PORTAFUSIBILE - <b>Fuseholder</b>	OMEGA FUSIBILI GT632116
FU2	PORTAFUSIBILE - <b>Fuseholder</b>	OMEGA FUSIBILI GT632116
FU3	PORTAFUSIBILE - <b>Fuseholder</b>	OMEGA FUSIBILI CF520150
QS1	INTERRUTTORE – <b>Main switch</b>	NUOVA TECNOMATIC HD1203F112
SB1	PULSANTE - <b>Pushbutton</b>	SCHNEIDER ELECTRIC ZB4 BS844
	BLOCCO CONTATTO – <b>Contact Block</b>	SCHNEIDER ELECTRIC ZB4 BZ102
SB2	PULSANTE - <b>Pushbutton</b>	SCHNEIDER ELECTRIC ZB4 BA3
	CONTATTO - <b>Contact Block</b>	SCHNEIDER ELECTRIC ZB4 BZ101
SB3	CONTATTO MANIPOLATORE – <b>Joystick contact</b>	CGE P9B10VN
SB4	CONTATTO MANIPOLATORE – <b>Joystick contact</b>	CGE P9B10VN
SQ1	MICROINTERRUTTORE - <b>Microswitch</b>	SCHNEIDER ELECTRIC XCKN2102G11
SQ2	MICROINTERRUTTORE - <b>Microswitch</b>	SCHNEIDER ELECTRIC XCKN2102G11
SQ5	MICROINTERRUTTORE – <b>Microswitch</b>	SCHNEIDER ELECTRIC XCKN2102G11
SQ6	MICROINTERRUTTORE – <b>Microswitch</b>	SCHNEIDER ELECTRIC XCKN2102G11

230VAC -1PH 0,55 kW - INVERTER



**230VAC -1PH 0,55 kW – INVERTER**



Sfogliatrice - <b>Dough Sheeter</b>	SCHEMA ELETTRICO <b>ELECTRIC DIAGRAM</b>	ALLEGATO 2	
<b>R55-R55B – R55-P – R55B-P</b>		22/05/2017	Rev. A

**230VAC -1PH 0,55 kW – INVERTER**

**Data emissione:22/05/2017 Date of issue:22/05/2017**

DESCRIZIONE/SPECIFICATION		TIPO/PART NUMBER
GF1	Convertitore di frequenza – <b>Frequency converter</b>	MITSUBISHI FR-D720S-042SC-EC
KA1	Relè - <b>Relay</b>	FINDER 40.52.9.024.0000
QS1	INTERRUTTORE – <b>Main switch</b>	Nuova Tecnomatic HD1203F112
SB1	PULSANTE - <b>Pushbutton</b>	SCHNEIDER ELECTRIC ZB4 BS844
	BLOCCO CONTATTO – <b>Contact Block</b>	SCHNEIDER ELECTRIC ZB4 BZ102
SB2	PULSANTE - <b>Pushbutton</b>	SCHNEIDER ELECTRIC ZB4 BA3
	CONTATTO - <b>Contact Block</b>	SCHNEIDER ELECTRIC ZB4 BZ101
SB3	CONTATTO MANIPOLATORE – <b>Joystick contact</b>	CGE P9B10VN
SB4	CONTATTO MANIPOLATORE – <b>Joystick contact</b>	CGE P9B10VN
SQ1	MICROINTERRUTTORE - <b>Microswitch</b>	SCHNEIDER ELECTRIC XCKN2102G11
SQ2	MICROINTERRUTTORE - <b>Microswitch</b>	SCHNEIDER ELECTRIC XCKN2102G11
SQ3	MICROINTERRUTTORE – <b>Microswitch</b>	SCHNEIDER ELECTRIC XCKN2102G11
SQ4	MICROINTERRUTTORE – <b>Microswitch</b>	SCHNEIDER ELECTRIC XCKN2102G11

## IT - GARANZIA

### Garanzia

- La parte venditrice garantisce l'attrezzatura nuova e in perfette condizioni estetiche e funzionali al momento della spedizione.
- La parte venditrice garantisce l'attrezzatura fornita nelle normali condizioni d'uso e secondo le specifiche tecniche del prodotto per un periodo di 12 mesi.
- Durante il periodo di garanzia la parte venditrice si impegna, a sua discrezione, a riparare o a sostituire le parti riconosciute difettose ma non al ritiro dell'attrezzatura.
- La parte acquirente deve denunciare immediatamente l'errata consegna o gli eventuali difetti della merce e trasmettere le riserve a mezzo fax, e-mail o raccomandata, unitamente ad idonea documentazione comprovante il motivo del reclamo. Trascorsi **7 gg.** dal ricevimento della merce stessa, la parte venditrice considererà la fornitura approvata dalla parte acquirente.
- Il ritardato o mancato pagamento, anche di una parte del totale dovuto, sospende ogni diritto alla garanzia fino al momento della regolarizzazione del pagamento, fermo restando l'originario termine di scadenza della garanzia stessa.

### Esclusioni e limitazioni della garanzia

- Sono esclusi dalla garanzia le parti di normale consumo, i danni alla verniciatura, i danni avvenuti durante il trasporto, i danni causati da errato montaggio e installazione, i danni derivanti da manomissione da parte del compratore o di terzi, i danni causati da un uso non conforme al manuale e la merce sprovvista del marchio della parte venditrice
- Salvo provati vizi occulti sono escluse dalla garanzia parti elettriche ed elettroniche
- La garanzia decade in caso di utilizzo improprio dell'attrezzatura, ad es. applicazioni che non siano quelle per le quali è stata progettata, oppure in caso di un utilizzo "non normale", ad es. un uso prolungato e ripetitivo sotto sforzo (per utilizzo normale si intende un utilizzo ad intermittenza su un turno di lavoro)
- La modifica dell'attrezzatura comporta l'automatico decadimento della garanzia
- La restituzione alla parte venditrice delle parti ritenute difettose è condizione necessaria per la sostituzione delle stesse. I costi di trasporto per la restituzione di parti ritenute difettose e per la spedizione di parti in garanzia sono a carico della parte acquirente.
- I costi sostenuti dalla parte acquirente per la sostituzione delle parti difettose non sono riconosciuti, così come eventuali danni indiretti causati da guasti o disfunzioni dell'attrezzatura.

## EN – WARRANTY

### Warranty

- The seller guarantees that at the moment of dispatch the equipment is in perfect functional and aesthetic condition.
- The seller guarantees the equipment supplied for a time of 12 months for normal conditions of use and according to the product's technical specifications.
- During the warranty period, the seller undertakes at his discretion, to repair or replace parts found to be faulty but not to collect the equipment.
- The buyer must immediately report a wrong delivery or any defects found in the goods and send his reserves by fax, e-mail or registered letter, together with suitable documentation proving the reason for the complaint. When **7 days** have elapsed from receipt of the goods, the seller shall consider the supply approved by the buyer.
- A delay in payment or non-payment, even only of a part of what is due, suspends all rights to the warranty up until payment is settled, it being understood that the original expiry date of the warranty still remains.

### Warranty limitation and exclusions

- Parts subject to normal wear, damage to the paintwork, damage occurred during transport, damage caused by an incorrect assembly and/or installation, tampering by the buyer or third parties and goods without the seller's mark are not covered by the warranty.
- Except for proven hidden flaws, none of the electrical and electronic parts are covered by the warranty.
- The warranty will be void in case the equipment is used incorrectly, e.g., for applications which are different than the ones it has been projected for, or in case of an "abnormal" and prolonged use under stress (a "normal" use is an intermittent use on a working shift)
- Tampering of the equipment would void the warranty
- It is mandatory for all parts deemed faulty to be returned to the seller for replacing. Transport costs for returning the parts deemed faulty and for shipping parts covered by the warranty shall be borne by the buyer
- Costs borne by the buyer for replacing faulty parts will not be refunded, likewise any indirect damages caused by failures or malfunctions of the equipment

## ES - GARANTÍA

### Garantía

- La parte vendedora garantiza los equipos nuevos y en perfectas condiciones estéticas y funcionales al momento de la expedición.
- La parte vendedora garantiza los equipos suministrados en condiciones normales de uso y según las especificaciones técnicas del producto por un período de 12 meses.
- Durante el período de garantía, la parte vendedora se compromete, a su discreción, a reparar o sustituir las partes reconocidas defectuosas pero no al retiro de los equipos.
- La parte compradora debe denunciar inmediatamente la errata entrega o los posibles defectos de la mercancía y transmitir las reservas por fax, e-mail o carta certificada, junto con la adecuada documentación que demuestren el motivo del reclamo. Transcurridos **7 días** desde la recepción de la mercancía, la parte vendedora considerará la entrega aprobada por parte del comprador.
- El retraso o la falta de pago, también de una parte del total adeudado, suspenderá todo derecho a la garantía hasta el momento de la regularización del pago, sin perjuicio de la fecha de vencimiento original de la garantía.

### Exclusiones y limitaciones de la garantía

- Se excluyen de la garantía las partes de normal consumo, los daños a la pintura, los daños ocurridos durante el transporte, los daños causados por erróneo montaje e instalación, los daños derivados de la manipulación por parte del comprador o de terceros, los daños causados por un uso no conforme al manual y la mercancía desprovista de la marca del vendedor.

- Salvo probados defectos ocultos son excluidos de la garantía las partes eléctricas y electrónicas.
- La garantía decae en caso de la utilización impropia de los equipos, por ejemplo: aplicaciones que no sean para las cuales se creó, o en caso de un uso "no normal", por ejemplo un uso prolongado y repetitivo bajo esfuerzo (por uso normal se entiende un uso intermitente durante un turno de trabajo)
- La modificación del equipo implica la extinción automática de la garantía
- La devolución al vendedor de las piezas que se consideran defectuosas es una condición necesaria para la sustitución de las mismas. Los gastos de envío para la devolución de las piezas que se consideran defectuosas y el envío de las piezas en garantía son responsabilidad del comprador
- Los gastos contraídos por el comprador para la sustitución de las partes defectuosas no son reconocidos, así como los posibles daños indirectos causados por fallos o mal funcionamiento del equipo.

## FR - GARANTIE

### Garantie

- Le vendeur garantit l'équipement neuf et en conditions esthétiques et fonctionnelles parfaites au moment de l'expédition.
- Le vendeur garantit l'équipement fourni dans les conditions d'utilisation normales et selon les spécifications techniques du produit pendant une période de 12 mois.
- Pendant la période de garantie le vendeur s'engage, à sa discrétion, de réparer ou de remplacer les pièces retenues défectueuses mais pas au retrait de l'équipement.
- L'acheteur doit signaler immédiatement la livraison erronée ou les éventuels défauts de la marchandise et transmettre les protestations par fax, e-mail ou recommandée, uniment à une documentation se rapportant à la raison de la réclamation. Après **7 j.** de la réception de la marchandise, le vendeur considèrera la fourniture approuvée par l'acheteur.
- Le retard ou le non-paiement, même d'une partie du total dû, élimine tout droit de garantie jusqu'au moment de la régularisation du paiement, étant entendu la date limite de la garantie à l'origine.

### Exclusions et limitations de la garantie

- Sont exclues par la garantie les pièces soumises à usure normale, les dommages à la peinture, les dommages advenus pendant le transport dérivant de la manipulation de la part de l'acheteur ou de tiers, les dommages causés par une utilisation non conforme au manuel et la marchandise dépourvue de la marque du vendeur.
- Sauf défauts testés cachés, les pièces électriques et électroniques sont exclues.
- La garantie tombe en cas d'utilisation improprie de l'équipement, par ex. des utilisations qui ne sont pas celles pour lesquelles il a été conçu, ou bien en cas d'une utilisation "anormale", par ex. un usage prolongé et répétitif sous effort (pour utilisation normale on entend une utilisation alternée sur un roulement de travail)
- La modification de l'équipement comporte automatiquement l'annulation de la garantie
- La restitution au vendeur des pièces retenues défectueuses est une condition nécessaire pour le remplacement de ces dernières. Les frais de transport pour la restitution des pièces retenues défectueuses et pour l'expédition des pièces sous garantie sont à la charge de l'acheteur.
- Les frais soutenus par l'acheteur pour le remplacement des pièces défectueuses ne sont pas reconnus, tout comme les éventuels dommages indirects causés par des pannes ou des dysfonctionnements de l'équipement.

## RU - ГАРАНТИЯ

### Гарантия

- Продающая сторона гарантирует новое оборудование в отличном внешнем и рабочем состоянии на момент отправки.
- Продающая сторона предоставляет гарантийный срок на поставленное оборудование в обычных эксплуатационных условиях и согласно техническим требованиям продукта продолжительностью 12 месяцев.
- В течение гарантийного периода продающая сторона обязуется на свой выбор выполнять ремонт или замену признанных дефектными частей, но не возврат оборудования.
- Покупаящая сторона должна немедленно заявить о неправильной поставке или о дефектах товара и отправить претензии по факсу, электронной почте или заказным письмом вместе с соответствующей документацией, что подтверждает причину претензии. По истечении **7 дней** с даты получения товара продающая сторона считает поставку одобренной покупателем стороной.
- Задержка или отсутствие оплаты, в том числе и частичной, прекращает любое право на гарантию до момента выплаты всей суммы. При этом остается неизменным изначальный срок прекращения действия гарантии.

### Исключения и ограничения гарантии

- Под действие гарантии не подпадают части, подверженные обычному износу, повреждения лакокрасочного покрытия, повреждения во время транспортировки, ущерб от неверной сборки и установки, ущерб из-за вмешательства покупателя или третьих лиц, ущерб, причиненный вследствие применения, не соответствующего руководству, а также товар, не имеющий торгового знака продающей стороны.
- За исключением подтвержденных скрытых дефектов, из гарантии исключаются электрические и электронные части.
- Действие гарантии прекращается в случае ненадлежащего применения оборудования, например, в целях, которые отличаются от тех, для которых оно разработано, а также в случае "ненормальной" эксплуатации, например, длительное и постоянное применение под нагрузкой (под нормальной эксплуатацией понимается эксплуатация в течение одной рабочей смены).
- Изменения в оборудовании ведут за собой автоматическое прекращение действия гарантии.
- Необходимыми условием замены дефектных частей является их возврат продающей стороне. Расходы на транспортировку по возврату частей, признанных дефектными, а также по отправке гарантийных запчастей несет покупаящая сторона
- Расходы покупаящей стороны по замене дефектных частей не подлежат возмещению, а также не подлежат возмещению косвенный ущерб от поломок или неисправностей оборудования.